



PROTECTRON ELECTROMECH (P) LTD

DESCRIPTION : CRIMP TERMINAL FOR 2.0mm PITCH HOUSING,
GOLD PLATED, RoHS

PART NO: P9086T00-22

RoHS



PHYSICAL

CONTACT

MATERIAL

: PHOSPHOR BRONZE, SELECTIVE GOLD PLATED

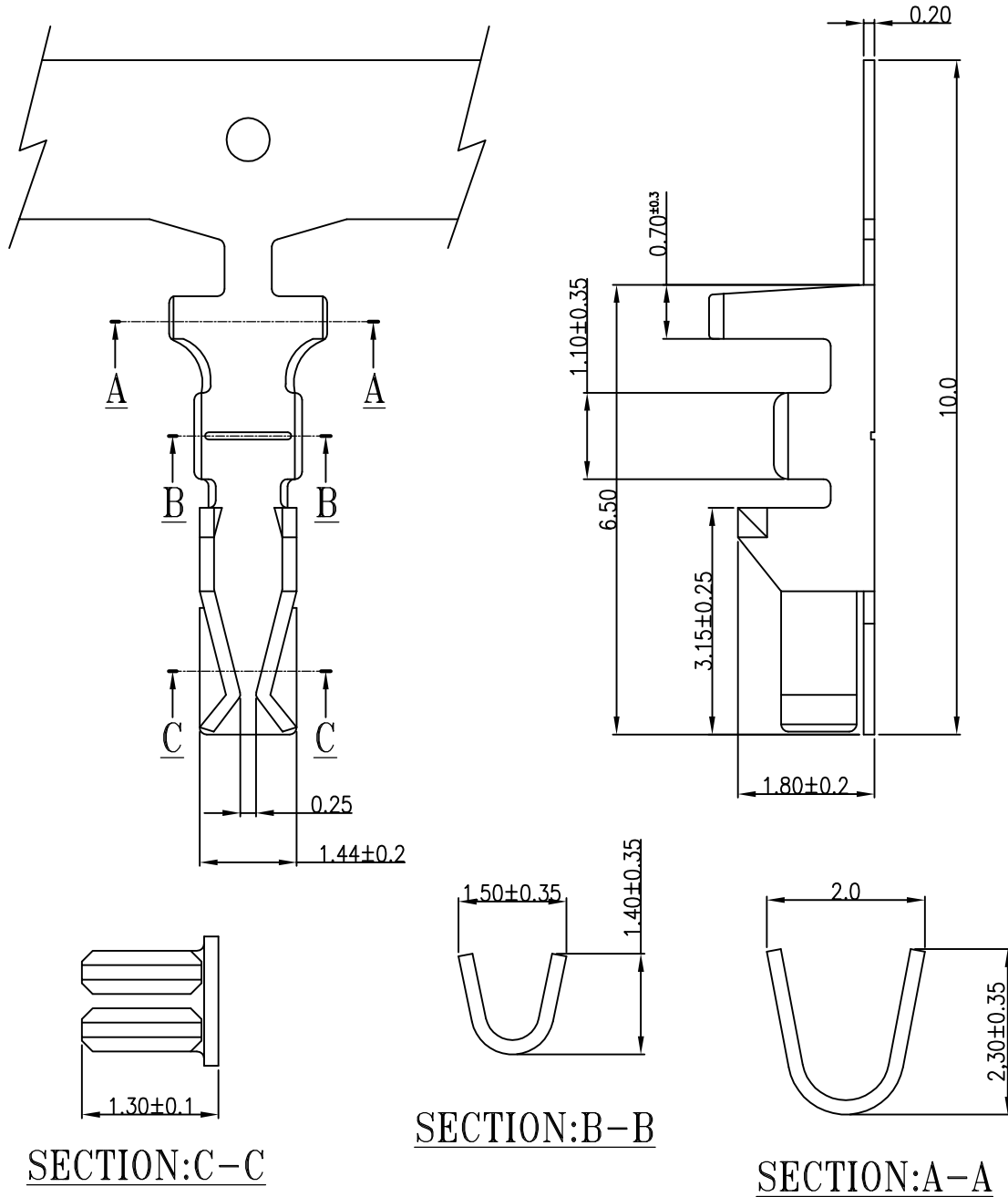
PROVISIONAL



PROTECTRON ELECTROMECH (P) LTD

DESCRIPTION : CRIMP TERMINAL FOR 2.0mm PITCH HOUSING,
GOLD PLATED, RoHS

PART NO: P9086T00-22



PROVISIONAL

A	ORIGINAL	MADHUSHREE	03.12.2016		
REV.	DESCRIPTION	DRN. BY	DATE	CK'ED BY	APP'D BY
Projection: 		Scale: NTS	Sht. Size: A4	Gen. Tol.: ±0.5mm ±2°	ALL DIMENSIONS ARE IN MM. IF UNLESS OTHERWISE SPECIFIED.

<http://www.protectron.in>
protectron@protectron.in