



# PROTECTRON ELECTROMECH (P) LTD

DESCRIPTION : POGO PIN HEADER, 8.0mm PITCH, STRAIGHT  
WITH SOLDER CUP, 2 PIN

PART NO: P806G-02-12

RoHS



## PHYSICAL DATA

MATERIAL

INSULATOR

: NYLON6/66, 30% GLASS FILLED.

CONTACT

: BRASS, GOLD PLATED

SOLDER CUP

: COPPER ALLOY

## ELECTRICAL DATA

CURRENT RATING

: 3A CONTINUOUS.

## ENVIRONMENTAL DATA

TEMPERATURE RANGE

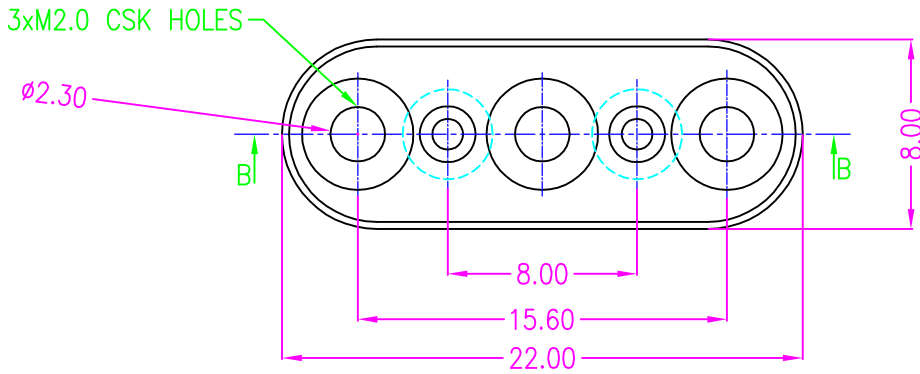
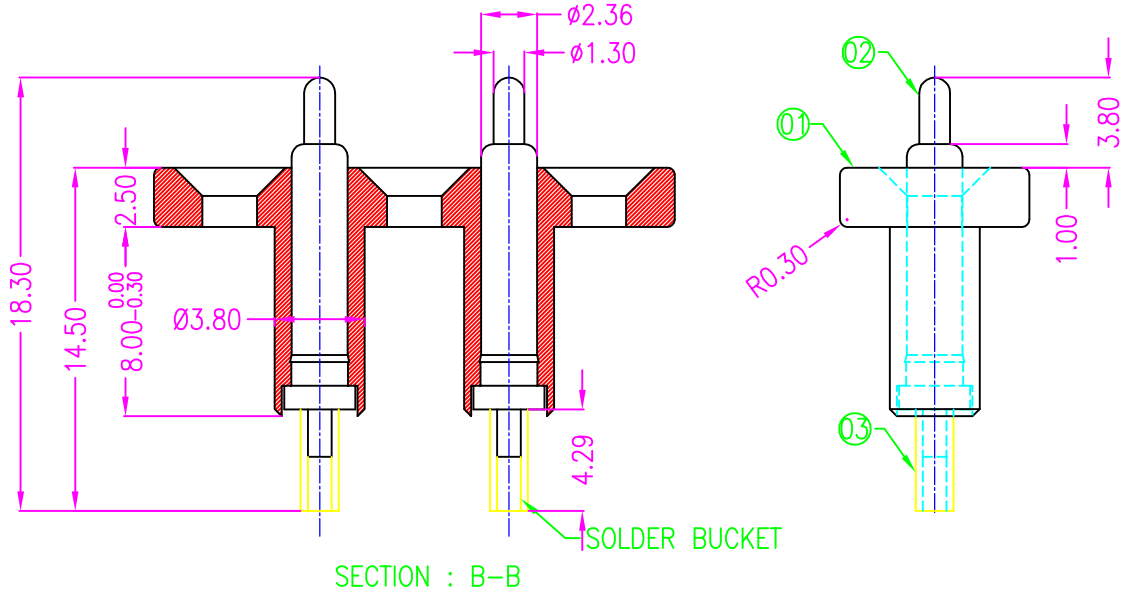
: -25° TO +85° C



# PROTECTRON ELECTROMECH (P) LTD

DESCRIPTION : POGO PIN HEADER, 8.0mm PITCH, STARIGHT WITH SOLDER CUP, 2 PIN

PART NO: P806G-02-12



## ORDERING INFORMATION

P806G-02-12

MOQ- ----

SPQ- ----

A	ORIGINAL		CHETAN	20.03.2014		
REV.		DESCRIPTION	DRN BY	DATE	CK'ED BY	APP'D BY
Projection: 		Scale: NTS	Sht. Size: A4	Gen. Tol.: ±0.2mm ±2°	ALL DIMENSIONS ARE IN MM. IF UNLESS OTHERWISE SPECIFIED.	