



PROTECTRON ELECTROMECH (P) LTD

DESCRIPTION : D-SUB SOCKET WATER PROOF,
SOLDER CUP TYPE.

PART NO: P703WFXX-06-5

RoHS



PHYSICAL DATA

INSULATION

MATERIAL : PBT
FLAMMABILITY : UL94V-0

CONTACT

MATERIAL : COPPER ALLOY
FINISH : SELECTIVE GOLD PLATED
PACKAGING TYPE : STANDARD

ELECTRICAL DATA

CURRENT RATING : 5A
CONTACT RESISTANCE : 30m OHMS MAX
INSULATION RESISTANCE : 5000M OHMS MIN
RATED VOLTAGE : 300V AC FOR 1minute

ENVIRONMENTAL DATA

TEMPERATURE RANGE : -55°C TO +85°C

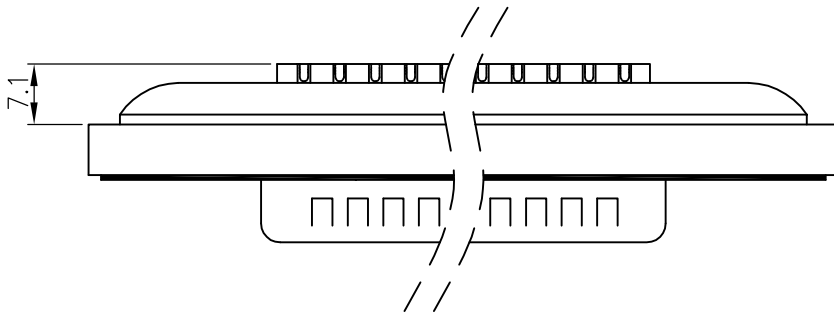
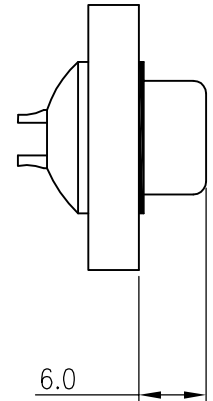
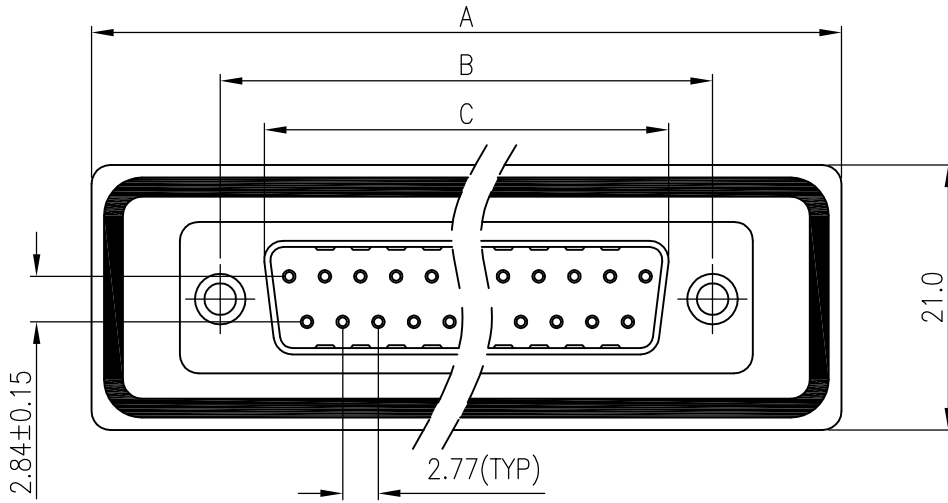
PROVISIONAL



PROTECTRON ELECTROMECH (P) LTD

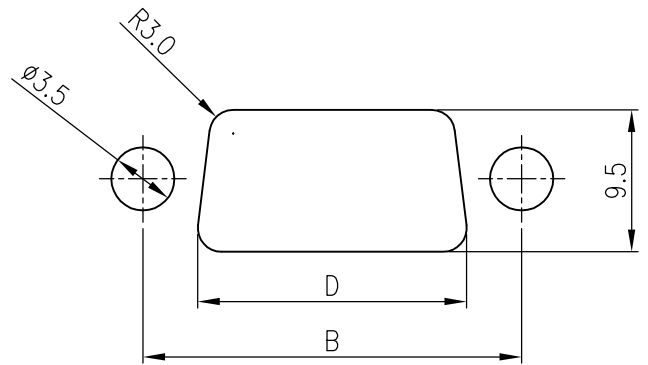
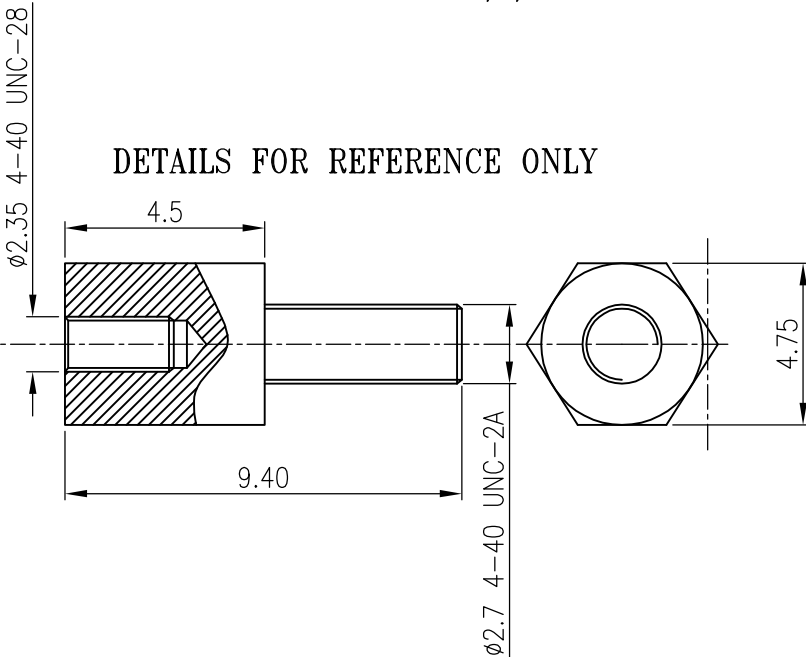
DESCRIPTION : D-SUB SOCKET WATER PROOF,
SOLDER CUP TYPE.

PART NO: P703WFX-06-5



POSITIONS	DIMENSIONS			
	A	B	C	D
9	39.40	24.99	16.33	18.33
15	47.72	33.32	24.66	26.66
25	61.44	47.04	38.38	40.38
37	77.90	63.50	54.84	56.84

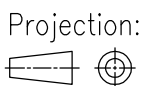
DETAILS FOR REFERENCE ONLY



MOUNTING DETAILS

PROVISIONAL

A	ORIGINAL	SUMITH	29.01.2016		
REV.	DESCRIPTION	DRN. BY	DATE	CK'ED BY	APP'D BY



Scale: NTS

Sht. Size: A4

Gen. Tol.: ±0.5mm

ALL DIMENSIONS ARE IN MM.
IF UNLESS OTHERWISE SPECIFIED.