

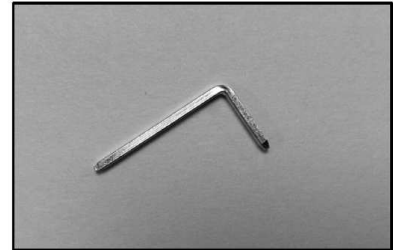


PROTECTRON ELECTROMECH (P) LTD

DESCRIPTION : 1.0X0.64 mm PIN RIGHT ANGLE BENT
A/B 11.64/6.0 mm.

PART NO: P50LX0108

RoHS



PHYSICAL

CONTACTS : COPPER ALLOY ,TIN PLATED

FINISH : GOLD FLASH PLATING

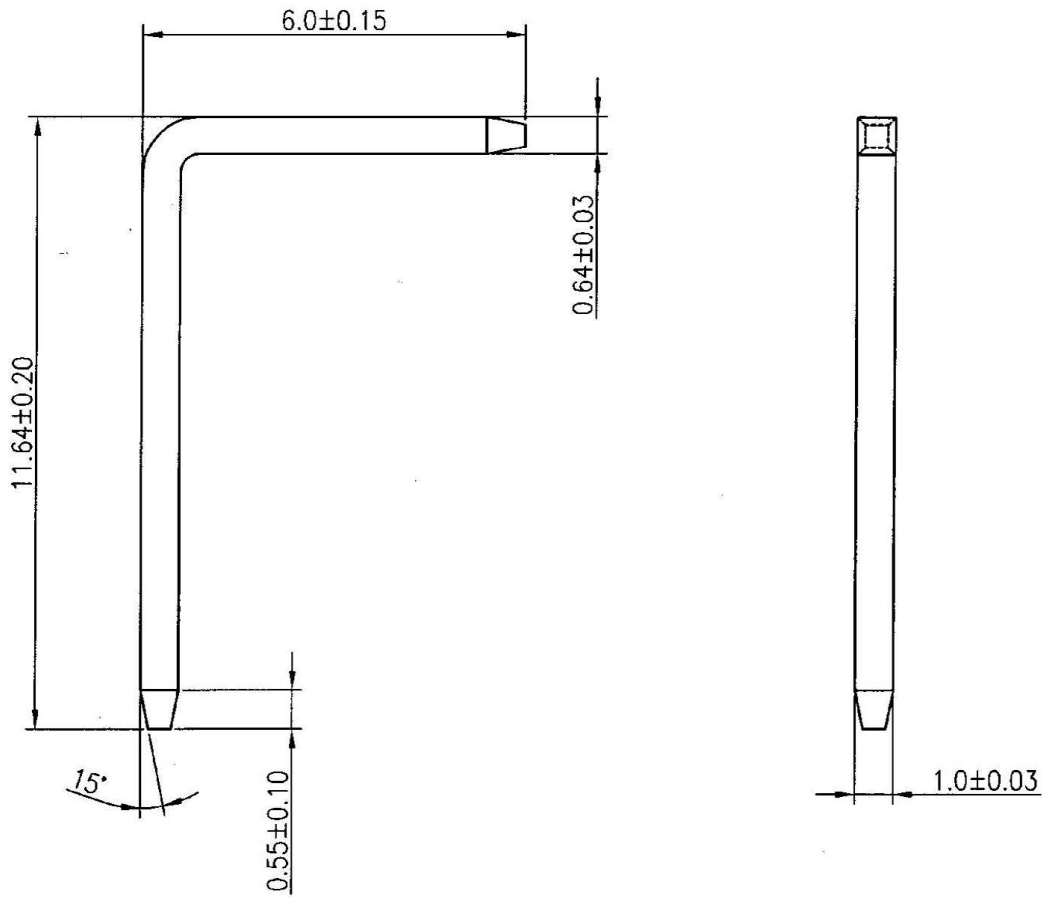
PACKAGING TYPE : STANDARD



PROTECTRON ELECTROMECH (P) LTD

DESCRIPTION : 1.0X0.64 mm RIGHT ANGLED PIN

PART NO: P50LX0108



A	ORIGINAL	SUMITH	13.07.2015	<i>[Signature]</i>	<i>[Signature]</i>
REV.		DRN BY	DATE	CKED BY	APP'D BY
Projection: 		Scale: NTS	Sht. Size: A4	Gen. Tol.: ±0.2mm ±2°	ALL DIMENSIONS ARE IN MM. IF UNLESS OTHERWISE SPECIFIED.
http://www.protectron.in protectron@protectron.in					Page 2 of 2