

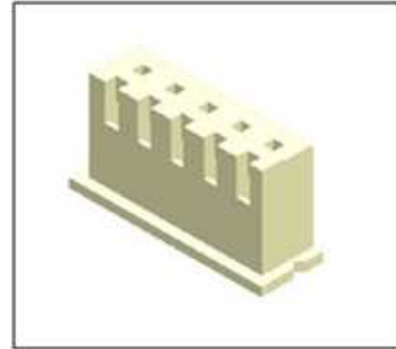


# PROTECTRON ELECTROMECH (P) LTD

DESCRIPTION : WAFER 2.5mm PITCH DISCONNECTABLE CONNECTOR

PART NO: P9052H29-00-X  
X=NO. OF WAYS(2-20)

RoHS



## PHYSICAL

### INSULATION

MATERIAL : NYLON  
FLAMMABILITY : UL94V-0  
COLOR : WHITE COLOR  
PACKAGING TYPE : BULK PACKING

## ELECTRICAL

CURRENT RATING : 3A  
INSULATION RESISTANCE : 1000M OHMS MIN  
CONTACT RESISTANCE : 20m OHMS MAX  
VOLTAGE RATING : 250V AC/DC

## ENVIRONMENTAL DATA

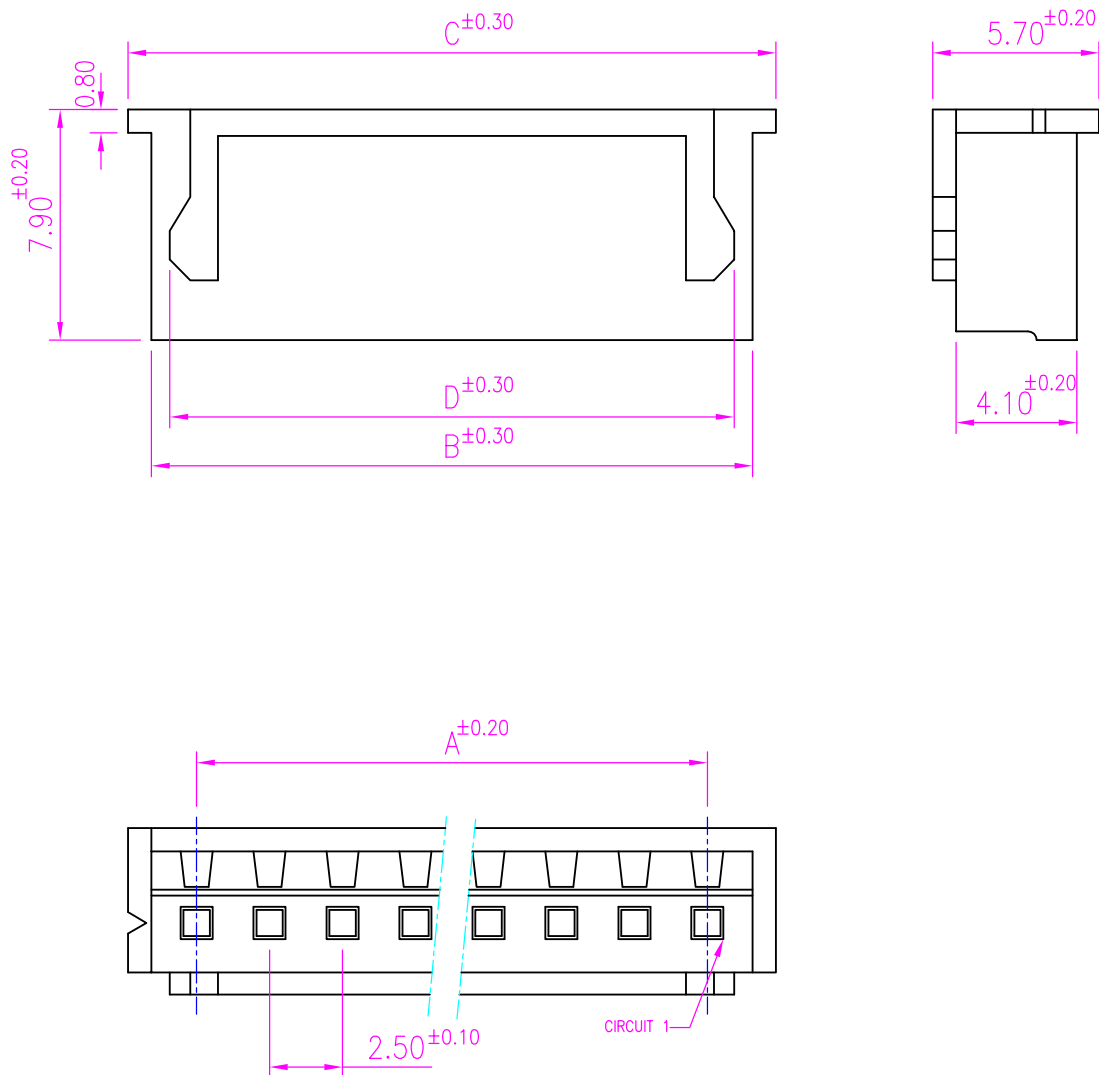
TEMPERATURE RANGE : -25°C TO +85°C  
PROCESS RATING : 230°C FOR 5SEC



# PROTECTRON ELECTROMECH (P) LTD

DESCRIPTION : WAFER 2.5mm PITCH DISCONNECTABLE CONNECTOR

PART NO: P9052H29-00-X  
X=NO. OF WAYS(2-20)



A	ORIGINAL	SACHIN	29.12.2003		
REV.	DESCRIPTION		DRN BY	DATE	CKED BY APP'D BY
Projection: 		Scale: NTS	Sht. Size: A4	Gen. Tol.: ±0.1mm ±1°	ALL DIMENSIONS ARE IN MM. IF UNLESS OTHERWISE SPECIFIED.



# PROTECTRON ELECTROMECH (P) LTD

DESCRIPTION : WAFER 2.5mm PITCH DISCONNECTABLE CONNECTOR

PART NO: P9052H29-00-X  
X=NO. OF WAYS(2-20)

### ORDERING INFORMATION

P9052H29-00-X

NO OF WAYS  
(2-20)

NO. OF WAYS	A	B	C	D	PART NUMBER
2	2.5	5.7	7.3	3.5	P9052H29-00-2
3	5.0	8.2	9.8	6.0	P9052H29-00-3
4	7.5	10.7	12.3	8.5	P9052H29-00-4
5	10.0	13.2	14.8	11.0	P9052H29-00-5
6	12.5	15.7	17.3	13.5	P9052H29-00-6
7	15.0	18.2	19.8	16.0	P9052H29-00-7
8	17.5	20.7	22.3	18.5	P9052H29-00-8
9	20.0	23.2	24.8	21.0	P9052H29-00-9
10	22.5	25.7	27.3	23.5	P9052H29-00-A
11	25.0	28.2	29.8	26.0	P9052H29-00-B
12	27.5	30.7	32.3	28.5	P9052H29-00-C
13	30.0	33.2	34.8	31.0	P9052H29-00-D
14	32.5	35.7	37.3	33.5	P9052H29-00-E
15	35.0	38.2	39.8	36.0	P9052H29-00-F
16	37.5	40.7	42.3	38.5	P9052H29-00-G
17	40.0	43.2	44.8	41.0	P9052H29-00-H
18	42.5	45.7	47.3	43.5	P9052H29-00-I
19	45.0	48.2	49.8	46.0	P9052H29-00-J
20	47.5	50.7	52.3	48.5	P9052H29-00-K

#### MATES WITH

ACCEPTS WITH:  
P9052T TERMINALS  
WITH LOCKING RAMP:  
P9052S/R SERIES HOUSING

MOQ- ----

SPQ- ----