

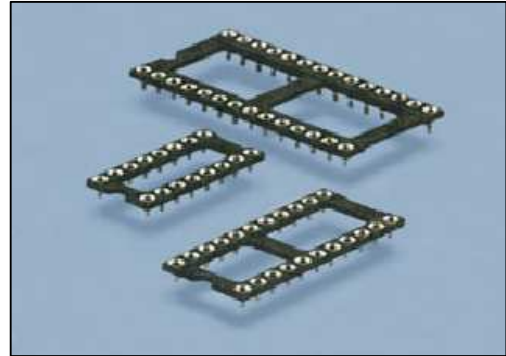


# PROTECTRON ELECTROMECH (P) LTD

DESCRIPTION :DIL IC SOCKET, 0.3" PITCH, ULTRA FLAT

PART NO: P8053-XX-XXD  
(REFER TABLE)

RoHS



## PHYSICAL

### INSULATION

MATERIAL	:	GLASS FILLED THERMOPLASTIC SELF EXTINGUISHING
FLAMMABILITY	:	UL94V-0
COLOR	:	BLACK
PACKAGING TYPE	:	TUBE/TRAY

## ELECTRICAL

CURRENT RATING	:	1A
INSULATION RESISTANCE	:	5000M OHMS @ 500V DC(Min)
RATED VOLTAGE	:	100V AC
CONTACT RESISTANCE	:	20m OHMS MAX
VOLTAGE PROOF	:	600V AC

## MECHANICAL DATA

MECHANICAL LIFE	:	500 CYCLES MIN
INSERTION FORCE	:	<2N (<0.2Kg.) WITH STEEL PIN DIA 0.41
EXTRACTION FORCE	:	>0.5N (0.05Kg.) WITH STEEL PIN DIA 0.41

## ENVIRONMENTAL DATA

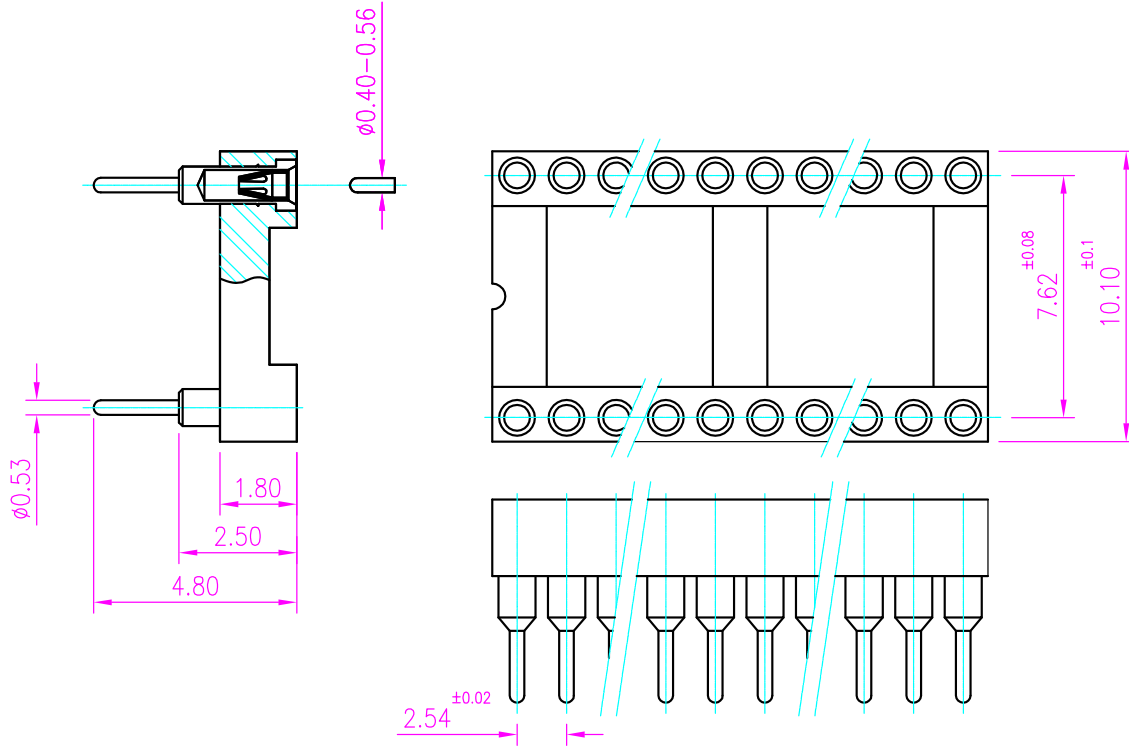
TEMPERATURE RANGE	:	-65° TO +125°C
RESISTANCE TO SOLDERING HEAT	:	+260°C, 10 Sec.



# PROTECTRON ELECTROMECH (P) LTD

DESCRIPTION : DIL IC SOCKET, 0.3" PITCH, ULTRA FLAT

PART NO: P8053-XX-XXD  
(REFER TABLE)



## ORDERING INFORMATION

P8053-XX-XXD

XX=NO OF CONTACTS	TYPE OF PIN (A)	INNER CLIP	OUTER SLEEVE	
04	A-SOLDER PIN 2.4mm TAIL	0.25 $\mu$ Au	5 $\mu$ Sn	1
06		0.75 $\mu$ Au	5 $\mu$ Sn	2
08		5 $\mu$ Sn	5 $\mu$ Sn	3
10		0.75 $\mu$ Au	5 $\mu$ Sn	4
14				
16				
18				
20				
22				
24				
28				

REV.	DESCRIPTION	DRN. BY	DATE	CK'ED BY	APP'D BY
A	ORIGINAL				

Projection:

Scale: NTS

Sht. Size: A4

Gen. Tol.:  $\pm 0.1\text{mm}$   
 $\pm 0.2^\circ$

ALL DIMENSIONS ARE IN MM.  
IF UNLESS OTHERWISE SPECIFIED.

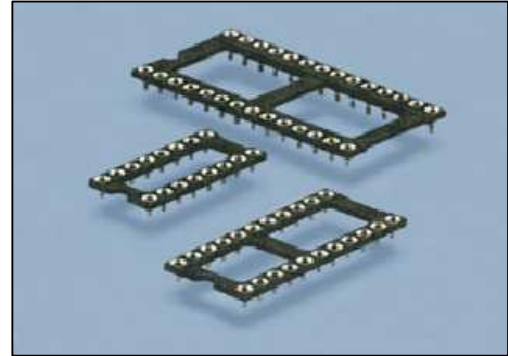


# PROTECTRON ELECTROMECH (P) LTD

DESCRIPTION :DIL IC SOCKET, 0.4" PITCH, ULTRA FLAT

PART NO: P8054-XX-XXD  
(REFER TABLE)

RoHS



## PHYSICAL

### INSULATION

MATERIAL	:	GLASS FILLED THERMOPLASTIC SELF EXTINGUISHING
FLAMMABILITY	:	UL94V-0
COLOR	:	BLACK
PACKAGING TYPE	:	TUBE/TRAY

## ELECTRICAL

CURRENT RATING	:	1A
INSULATION RESISTANCE	:	5000M OHMS @ 500V DC(Min)
RATED VOLTAGE	:	100V AC
CONTACT RESISTANCE	:	20m OHMS MAX
VOLTAGE PROOF	:	600V AC

## MECHANICAL DATA

MECHANICAL LIFE	:	500 CYCLES MIN
INSERTION FORCE	:	<2N (<0.2Kg.) WITH STEEL PIN DIA 0.41
EXTRACTION FORCE	:	>0.5N (0.05Kg.) WITH STEEL PIN DIA 0.41

## ENVIRONMENTAL DATA

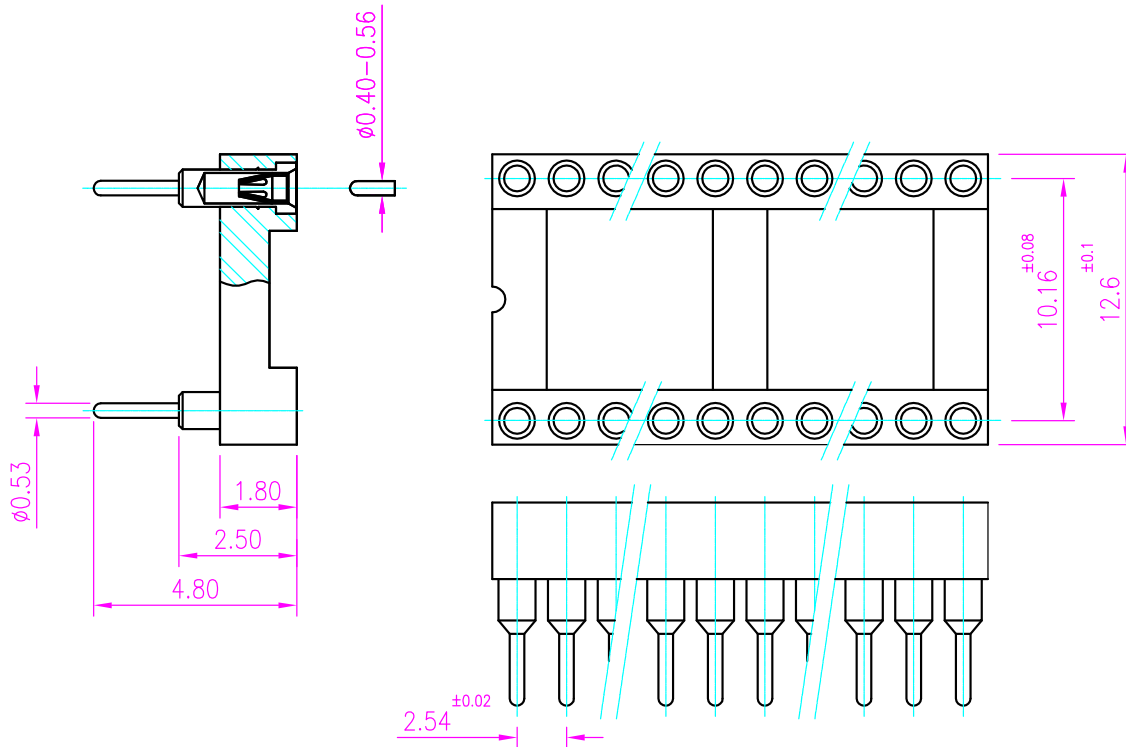
TEMPERATURE RANGE	:	-65° TO +125°C
RESISTANCE TO SOLDERING HEAT	:	+260°C, 10 Sec.



# PROTECTRON ELECTROMECH (P) LTD

DESCRIPTION : DIL IC SOCKET, 0.4" PITCH, ULTRA FLAT

PART NO: P8054-XX-XXD  
(REFER TABLE)



## ORDERING INFORMATION

P8054-XX-XXD

XX=NO OF CONTACTS	TYPE OF PIN (A)	INNER CLIP	OUTER SLEEVE	
22	A-SOLDER PIN 2.4mm TAIL	0.25 $\mu$ Au	5 $\mu$ Sn	1
24		0.75 $\mu$ Au	5 $\mu$ Sn	2
28		5 $\mu$ Sn	5 $\mu$ Sn	3
32		0.75 $\mu$ Au	5 $\mu$ Sn	4

REV.	DESCRIPTION	DRN. BY	DATE	CK'ED BY	APP'D BY
A	ORIGINAL				

Projection:

Scale: NTS

Sht. Size: A4

Gen. Tol.:  $\pm 0.1\text{mm}$   
 $\pm 0.2^\circ$

ALL DIMENSIONS ARE IN MM.  
IF UNLESS OTHERWISE SPECIFIED.

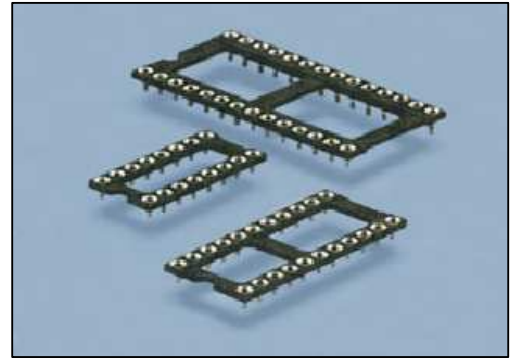


# PROTECTRON ELECTROMECH (P) LTD

DESCRIPTION :DIL IC SOCKET, 0.6" PITCH, ULTRA FLAT

PART NO: P8056-XX-XXD  
(REFER TABLE)

RoHS



## PHYSICAL

### INSULATION

MATERIAL	:	GLASS FILLED THERMOPLASTIC SELF EXTINGUISHING
FLAMMABILITY	:	UL94V-0
COLOR	:	BLACK
PACKAGING TYPE	:	TUBE/TRAY

## ELECTRICAL

CURRENT RATING	:	1A
INSULATION RESISTANCE	:	5000M OHMS @ 500V DC(Min)
RATED VOLTAGE	:	100V AC
CONTACT RESISTANCE	:	20m OHMS MAX
VOLTAGE PROOF	:	600V AC

## MECHANICAL DATA

MECHANICAL LIFE	:	500 CYCLES MIN
INSERTION FORCE	:	<2N (<0.2Kg.) WITH STEEL PIN DIA 0.41
EXTRACTION FORCE	:	>0.5N (0.05Kg.) WITH STEEL PIN DIA 0.41

## ENVIRONMENTAL DATA

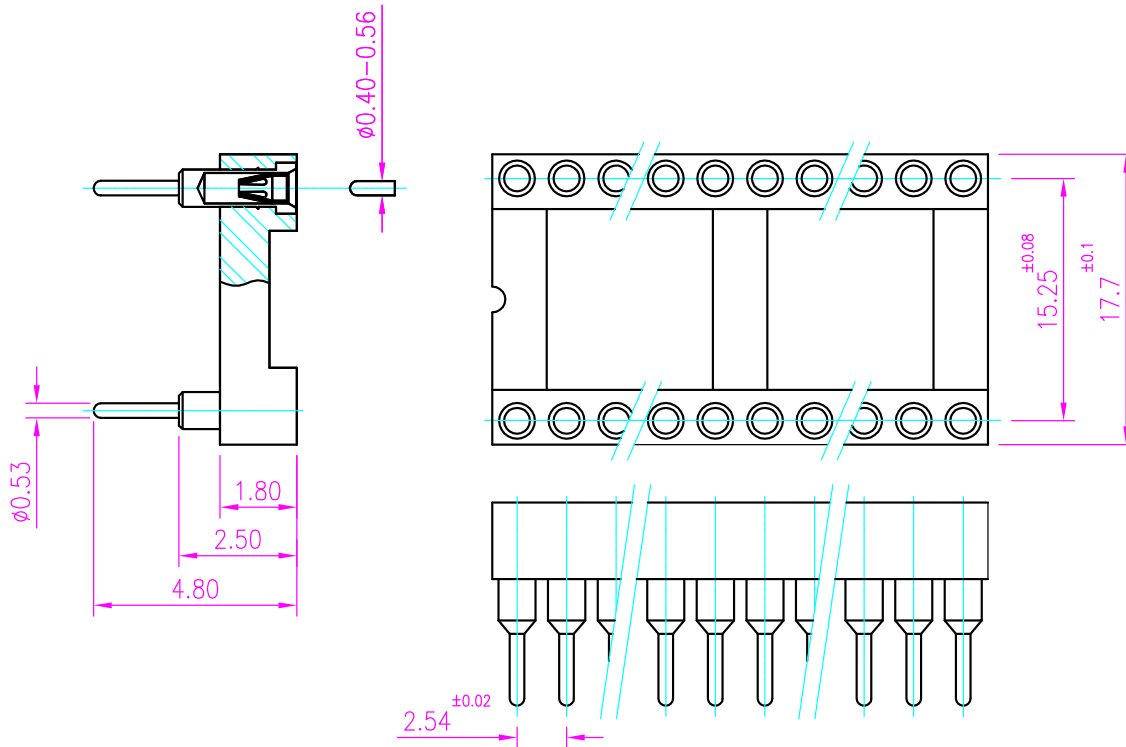
TEMPERATURE RANGE	:	-65° TO +125°C
RESISTANCE TO SOLDERING HEAT	:	+260°C, 10 Sec.



# PROTECTRON ELECTROMECH (P) LTD

DESCRIPTION : DIL IC SOCKET, 0.6" PITCH, ULTRA FLAT

PART NO: P8056-XX-XXD  
(REFER TABLE)



## ORDERING INFORMATION

P8056-XX-XXD

XX=NO OF CONTACTS	TYPE OF PIN (A)	INNER CLIP	OUTER SLEEVE	
24	A-SOLDER PIN 2.4mm TAIL	0.25 $\mu$ Au	5 $\mu$ Sn	1
28		0.75 $\mu$ Au	5 $\mu$ Sn	2
32		5 $\mu$ Sn	5 $\mu$ Sn	3
36		0.75 $\mu$ Au	5 $\mu$ Sn	4
40				
42				
48				
50				
52				

REV.	DESCRIPTION	DRN. BY	DATE	CK'ED BY	APP'D BY
A	ORIGINAL				

Projection:

Scale: NTS

Sht. Size: A4

Gen. Tol.:  $\pm 0.1\text{mm}$   
 $\pm 0.2^\circ$

ALL DIMENSIONS ARE IN MM.  
IF UNLESS OTHERWISE SPECIFIED.