



PROTECTRON ELECTROMECH (P) LTD

DESCRIPTION : RADIAL LEADED PTC RESETTABLE FUSE

PART NO: RLD30P SERIES
(REFER TABLE)



1.Summary

- (a) Application: Wide variety of electronic equipments.
- (b) Product Features: Low resistance, High hold current, Solid state, Radial leaded product ideal for up to 30V.
- (c) Operation Current: 900mA~9.0A
- (d) Maximum Voltage: 30V
- (e) Temperature Range:-40°C to 85°C

Table 1: dimensions:(unit:mm)

PART NUMBER	A	B	C	D	E	F	LEAD STYLE
	MAXIMUM	MAXIMUM	TYPICAL	MINIMUM	MAXIMUM	MAXIMUM	
RLD30P090U	7.4	12.2	5.1	7.6	3.0	1.2	Kink
RLD30P110U	7.4	14.2	5.1	7.6	3.0	1.2	Kink
RLD30P135U	8.9	13.5	5.1	7.6	3.0	1.2	Kink
RLD30P160U	8.9	15.2	5.1	7.6	3.0	1.2	Kink
RLD30P185U	10.2	15.7	5.1	7.6	3.0	1.2	Kink
RLD30P250U	11.4	18.3	5.1	7.6	3.0	1.2	Kink
RLD30P300U	11.4	17.3	5.1	7.6	3.0	1.2	Straight
RLD30P400U	14.0	20.1	5.1	7.6	3.0	1.2	Straight
RLD30P500U	14.0	24.9	10.2	7.6	3.0	1.2	Straight
RLD30P600U	16.5	24.9	10.2	7.6	3.0	1.2	Straight
RLD30P700U	19.1	26.7	10.2	7.6	3.0	2.0	Straight
RLD30P800U	21.6	29.2	10.2	7.6	3.0	2.0	Straight
RLD30P900U	24.1	29.7	10.2	7.6	3.0	2.0	Straight

NOTE : Specification subject to change without notice.



PROTECTRON ELECTROMECH (P) LTD

DESCRIPTION : RADIAL LEADED PTC RESETTABLE FUSE

PART NO: RLD30P SERIES
(REFER TABLE)

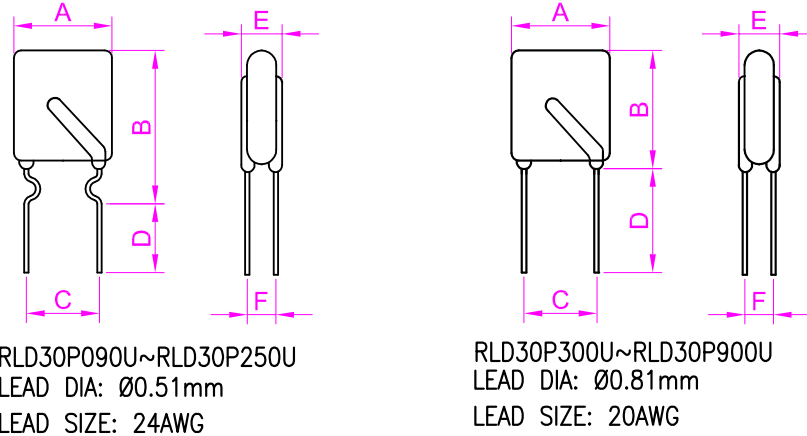


TABLE 11: PERFORMANCE RATINGS

PART NUMBER	HOLD CURRENT	TRIP CURRENT	RATED VOLTAGE	MAX. CURRENT	TYPICAL POWER	MAX. TIME TO TRIP	RESISTANCE		
							RMIN.	RIMAX.	R1MAX.
							I _H , A	I _T , A	V _{MAX} , VDC
RLD30P090U	0.90	1.80	30	40	0.6	5.9	0.070	0.145	0.22
RLD30P110U	1.10	2.20	30	40	0.7	6.6	0.050	0.120	0.17
RLD30P135U	1.35	2.70	30	40	0.8	7.3	0.040	0.085	0.13
RLD30P160U	1.60	3.20	30	40	0.9	8.0	0.030	0.070	0.11
RLD30P185U	1.85	3.70	30	40	1.0	8.7	0.030	0.060	0.09
RLD30P250U	2.50	5.00	30	40	1.2	10.3	0.020	0.040	0.07
RLD30P300U	3.00	6.00	30	40	2.0	10.8	0.020	0.050	0.08
RLD30P400U	4.00	8.00	30	40	2.5	12.7	0.010	0.030	0.05
RLD30P500U	5.00	10.00	30	40	3.0	14.5	0.010	0.030	0.05
RLD30P600U	6.00	12.00	30	40	3.5	16.0	0.005	0.020	0.04
RLD30P700U	7.00	14.00	30	40	3.8	17.5	0.005	0.020	0.03
RLD30P800U	8.00	16.00	30	40	4.0	18.8	0.005	0.020	0.02
RLD30P900U	9.00	18.00	30	40	4.2	20.0	0.005	0.010	0.02

NOTE : Specification subject to change without notice.

A1	DRAWING REWISED	CHETAN	06.06.2011		
A	ORIGINAL	SACHIN	21.10.2003	SAVITHA	SURINDRA
REV.	DESCRIPTION	DRN. BY	DATE	CK'ED BY	APP'D BY



Scale: NTS

Sht. Size: A4

Gen. Tol.: ±0.5mm
±1°

ALL DIMENSIONS ARE IN MM.
IF UNLESS OTHERWISE SPECIFIED.



PROTECTRON ELECTROMECH (P) LTD

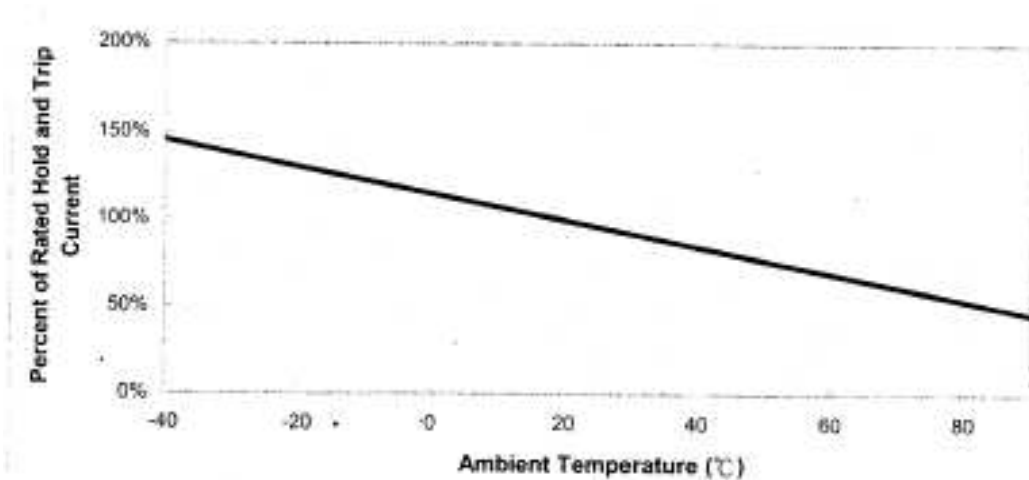
DESCRIPTION : RADIAL LEADED PTC RESETTABLE FUSE

PART NO: RLD30P SERIES
(REFER TABLE)

I_H= Hold current—maximum current at which the device will not trip at 23°C still air.
I_T= Trip current—minimum current at which the device will always trip at 23°C still air.
V_{MAX}= Maximum voltage device can withstand without damage at it's rated current.
I_{MAX}= Maximum fault current device can withstand without damage at rated voltage (V max.).
P_D= Maximum power dissipated from device when in tripped state in 23°C still air environment.
R_{MIN}= Minimum device resistance at 23°C.
R_{IMAX}=Maximum device resistance at 23°C, 1 hour after tripping.

NOTE : Specification subject to change without notice.

THERMAL DERATING CURVE



ORDERING INFORMATION

RLD30P SERIES
(REFER TABLE)

NOTE : Specification subject to change without notice.