



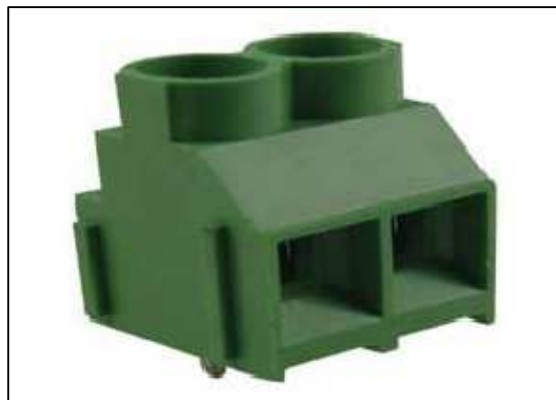
PROTECTRON ELECTROMECH (P) LTD

DESCRIPTION :TERMINAL BLOCK, RISING CLAMP TYPE

PART NO: PTB636-XX-XXP-1X

1st XX=PITCH
2nd XX=NO. OF CONTACTS
3rd X=COLOR

RoHS



PHYSICAL DATA

INSULATION

MATERIAL : THERMOPLASTIC(UL94V-0)

CONTACT

MATERIAL : COPPER ALLOY, TIN PLATED

PACKAGING TYPE

: BULK PACKING

ELECTRICAL DATA

RATED CURRENT : 30A

VOLTAGE RATING : 300V

WIRE RANGE

SOLID WIRE(AWG) : 10-24

STRANDED WIRE(AWG) : 10-24

TORQUE(Lb-In) : 8.9

SCREW : M3.5

WIRE STRIP LENGTH : 6-7mm

WITHSTANDING VOLTAGE : 1.6KV

ENVIRONMENTAL DATA

TEMPERATURE RANGE : -40° TO +105°C

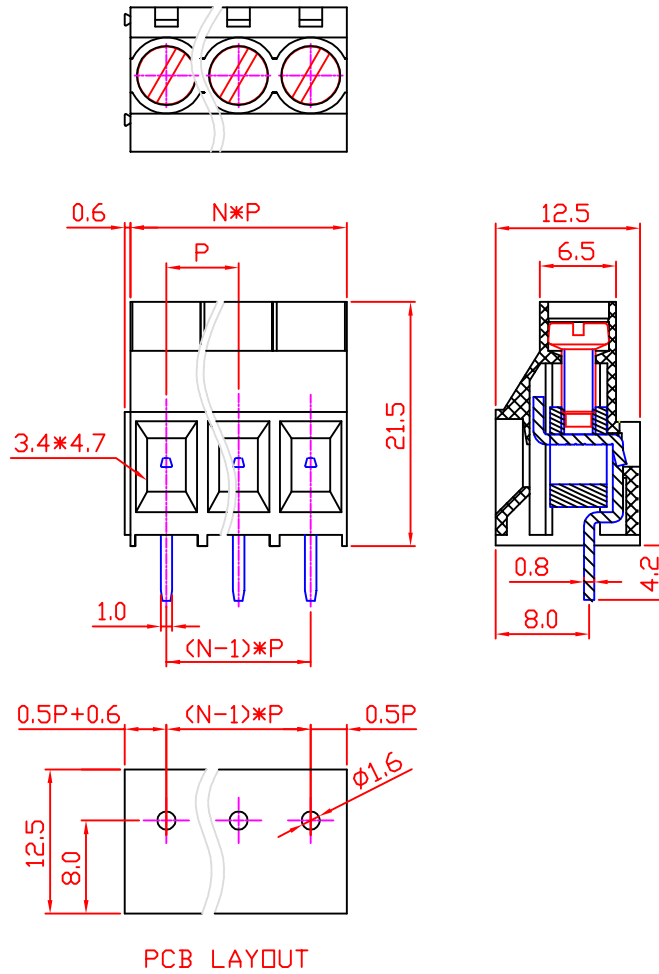


PROTECTRON ELECTROMECH (P) LTD

DESCRIPTION :TERMINAL BLOCK, RISING CLAMP TYPE

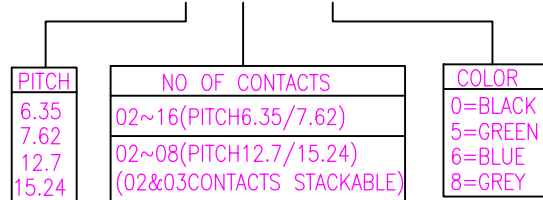
PART NO: PTB636-XX-XXP-1X

1st XX=PITCH
2nd XX=NO. OF CONTACTS
3rd X=COLOR



ORDERING INFORMATION

PTB636-XX-XXP-1X



A	ORIGINAL						
REV.	DESCRIPTION			DRN. BY	DATE	CK'ED BY	APP'D BY
Projection: 		Scale: NTS	Sht. Size: A4	Gen. Tol.: ±0.5mm ±0.2°	ALL DIMENSIONS ARE IN MM. IF UNLESS OTHERWISE SPECIFIED.		