

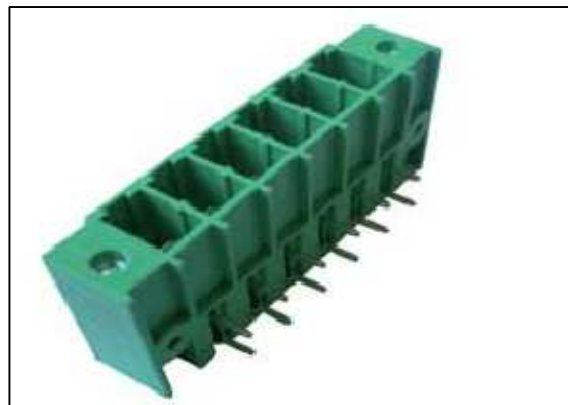


PROTECTRON ELECTROMECH (P) LTD

DESCRIPTION :TERMINAL BLOCK PLUGGABLE TYPE

PART NO: PTB5EDGXM-XX-XXP-1X
1st X=PCB MOUNTING
2nd XX=PITCH
3rd XX=NO. OF CONTACTS
4th X=COLOR

RoHS



PHYSICAL DATA

INSULATION

MATERIAL : THERMOPLASTIC(UL94V-0)

CONTACT

MATERIAL : COPPER ALLOY, TIN PLATED

PACKAGING TYPE

: BULK PACKING

ELECTRICAL DATA

RATED CURRENT : 12A

VOLTAGE RATING : 300V

WITHSTANDING VOLTAGE : 1.6KV

ENVIRONMENTAL DATA

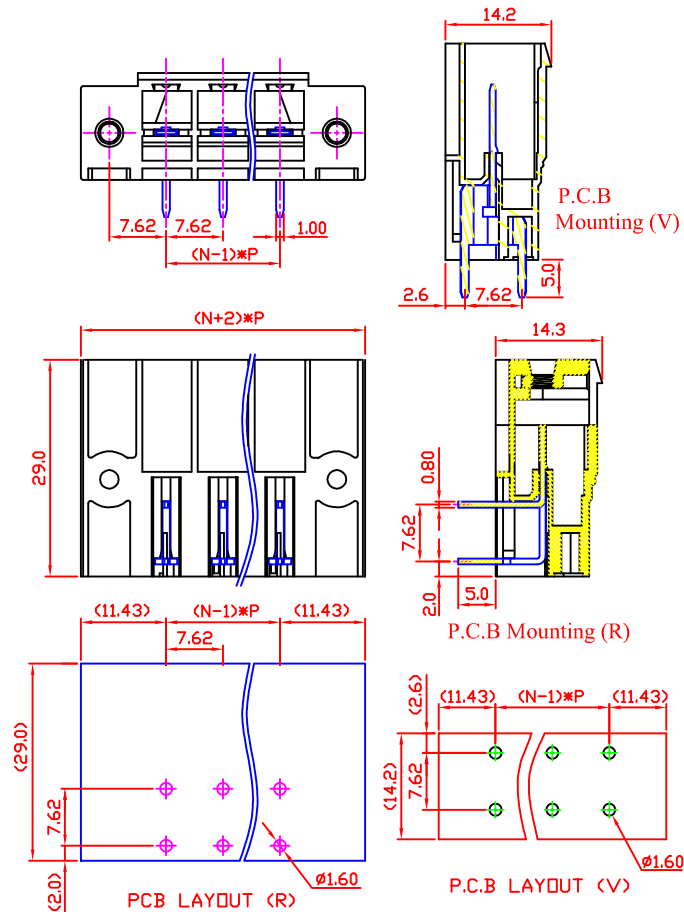
TEMPERATURE RANGE : -40° TO +105°C



PROTECTRON ELECTROMECH (P) LTD

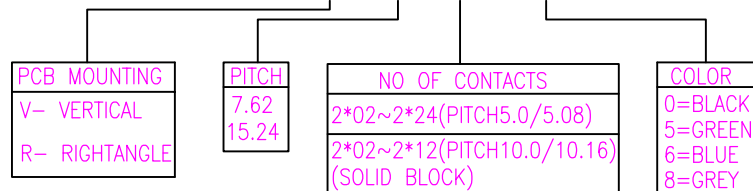
DESCRIPTION :TERMINAL BLOCK PLUGGABLE TYPE

PART NO: PTB5EDGXM-XX-XXP-1X
 1st X=PCB MOUNTING
 2nd XX=PITCH
 3rd XX=NO. OF CONTACTS
 4th X=COLOR



ORDERING INFORMATION

PTB5EDGXM-XX-XXP-1X



A	ORIGINAL						
REV.	DESCRIPTION			DRN. BY	DATE	CK'ED BY	APP'D BY

Projection:



Scale: NTS

Sht. Size: A4

Gen. Tol.: $\pm 0.5\text{mm}$
 $\pm 0.2^\circ$

ALL DIMENSIONS ARE IN MM.
 IF UNLESS OTHERWISE SPECIFIED.