



PROTECTRON ELECTROMECH (P) LTD

DESCRIPTION :TERMINAL BLOCK, RISING CLAMP TYPE

PART NO: PTB500HH-XX-XXP-1X

1st XX=PITCH
2nd XX=NO. OF CONTACTS
3rd X=COLOR

RoHS



PHYSICAL DATA

INSULATION

MATERIAL : THERMOPLASTIC(UL94V-0)

CONTACT

MATERIAL : COPPER ALLOY, TIN PLATED

PACKAGING TYPE

: BULK PACKING

ELECTRICAL DATA

RATED CURRENT : 10A

VOLTAGE RATING : 300V

WIRE RANGE

SOLID WIRE(AWG) : 12-24

STRANDED WIRE(AWG) : 12-24

TORQUE(Lb-In) : 3.5

SCREW : M2.5

WIRE STRIP LENGTH : 6-7mm

WITHSTANDING VOLTAGE : 1.6KV

ENVIRONMENTAL DATA

TEMPERATURE RANGE : -40° TO +105°C

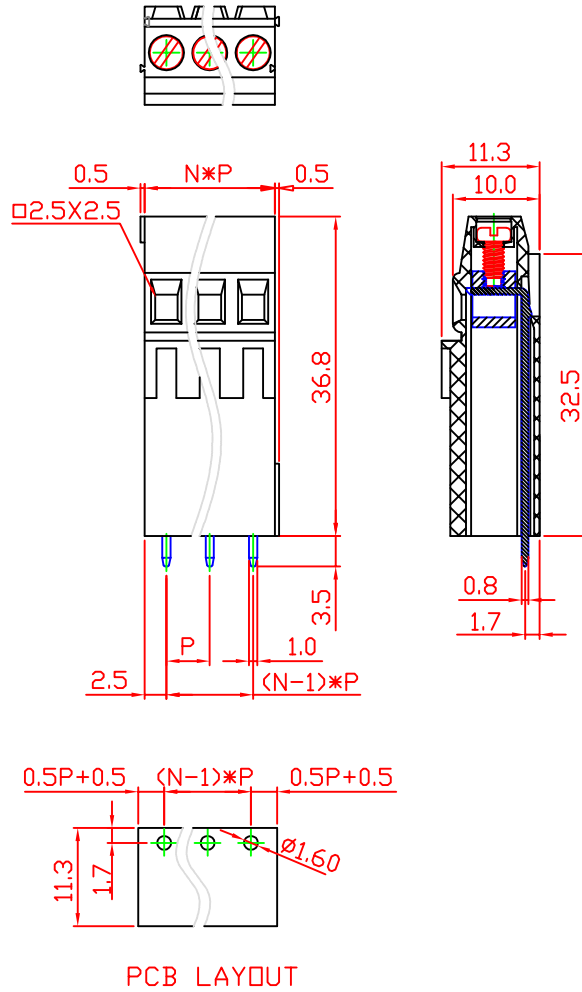


PROTECTRON ELECTROMECH (P) LTD

DESCRIPTION :TERMINAL BLOCK, RISING CLAMP TYPE

PART NO: PTB500HH-XX-XXP-1X

1st XX=PITCH
2nd XX=NO. OF CONTACTS
3rd X=COLOR



ORDERING INFORMATION

PTB500HH-XX-XXP-1X

PITCH	NO OF CONTACTS	COLOR
5.0	02~24(PITCH5.0/5.08)	0=BLACK
5.08		5=GREEN
10.0	02~12(PITCH10.0/10.16)	6=BLUE
10.16	02&03 CONTACTS STACKABLE	8=GREY

A	ORIGINAL						
REV.	DESCRIPTION			DRN. BY	DATE	CK'ED BY	APP'D BY
Projection: 		Scale: NTS	Sht. Size: A4	Gen. Tol.: $\pm 0.5\text{mm}$ $\pm 0.2^\circ$	ALL DIMENSIONS ARE IN MM. IF UNLESS OTHERWISE SPECIFIED.		

<http://www.protectron.in>
protectron@protectron.in