



# PROTECTRON ELECTROMECH (P) LTD

DESCRIPTION : BARRIER TYPE TERMINAL BLOCK

PART NO: PTB45C-B-XXP-10-00  
XX=NO. OF CONTACTS

RoHS



## PHYSICAL DATA

|                |   |                        |
|----------------|---|------------------------|
| MOLDED PARTS   | : | PA66.Ul94V-0, BLACK    |
| TERMINAL       | : | BRASS 0.8t, TIN PLATED |
| TERMINAL SCREW | : | STEEL M3.5, Ni PLATED  |
| PACKAGING TYPE | : | BULK PACKING           |

## ELECTRICAL DATA

|                               |   |                                  |
|-------------------------------|---|----------------------------------|
| RATED                         | : | 300V 30A                         |
| INSULATION WITHSTANDS VOLTAGE | : | AC2000V/MIN                      |
| INSULATION RESISTANCE         | : | 1000M $\Omega$ OR MORE AT DC500V |
| SCREW TORQUE VALUE            | : | 8.8Lb-In                         |
| WIRE RANGE                    | : | 22-10 AWG                        |

## ENVIRONMENTAL DATA

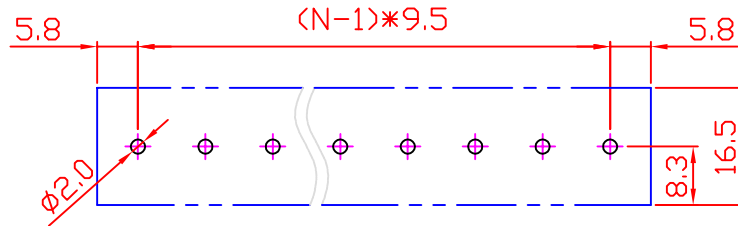
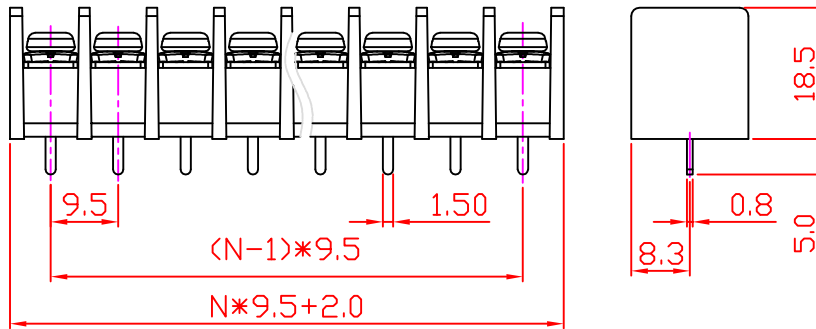
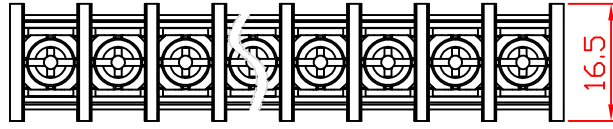
|                   |   |                |
|-------------------|---|----------------|
| TEMPERATURE RANGE | : | -40° TO +115°C |
|-------------------|---|----------------|



# PROTECTRON ELECTROMECH (P) LTD

DESCRIPTION : BARRIER TYPE TERMINAL BLOCK

PART NO: PTB45C-B-XXP-10-00  
XX=NO. OF CONTACTS



P.C.B LAYOUT

## ORDERING INFORMATION

PTB45C-B-XXP-10-00

|                |
|----------------|
| NO OF CONTACTS |
| 02~30          |

|                 |             |            |               |                         |   |          |          |
|-----------------|-------------|------------|---------------|-------------------------|---|----------|----------|
| A               | ORIGINAL    |            |               |                         |   |          |          |
| REV.            | DESCRIPTION |            |               | DRN. BY                 | DATE  | CK'ED BY | APP'D BY |
| Projection:<br> |             | Scale: NTS | Sht. Size: A4 | Gen. Tol.: ±1mm<br>±.2° | ALL DIMENSIONS ARE IN MM.<br>IF UNLESS OTHERWISE SPECIFIED. |          |          |

<http://www.protectron.in>  
protectron@protectron.in