



# PROTECTRON ELECTROMECH (P) LTD

DESCRIPTION :TERMINAL BLOCK PLUGGABLE TYPE

PART NO: PTB396XC-XX-XXP-1X  
1st X=PCB MOUNTING  
2nd XX=PITCH  
3rd XX=NO. OF CONTACTS  
4th X=COLOR

RoHS



## PHYSICAL DATA

### INSULATION

MATERIAL : THERMOPLASTIC(UL94V-0)

### CONTACT

MATERIAL : COPPER ALLOY, TIN PLATED

### PACKAGING TYPE

: BULK PACKING

## ELECTRICAL DATA

RATED CURRENT : 8A

VOLTAGE RATING : 300V

WITHSTANDING VOLTAGE : 1.6KV

## ENVIRONMENTAL DATA

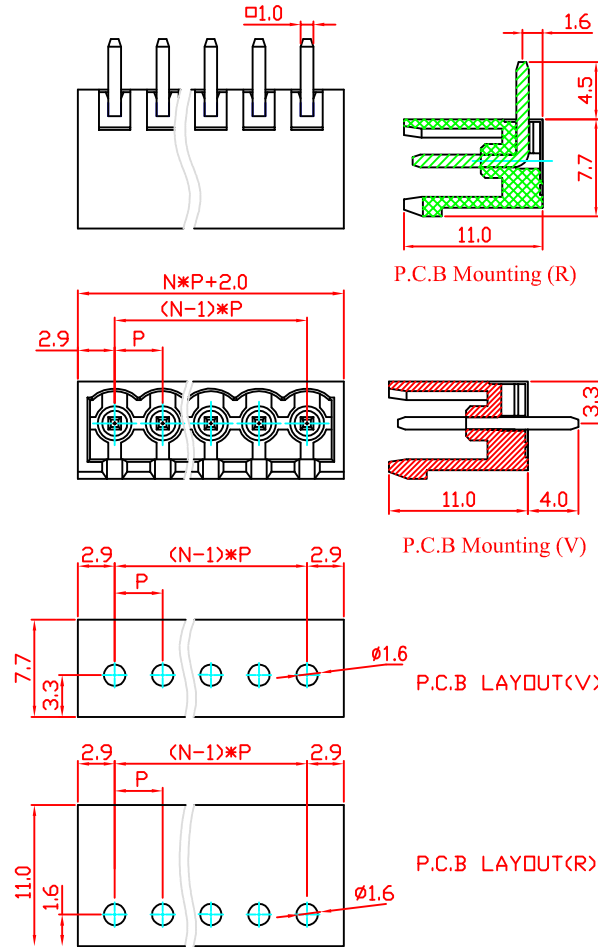
TEMPERATURE RANGE : -40° TO +105°C



# PROTECTRON ELECTROMECH (P) LTD

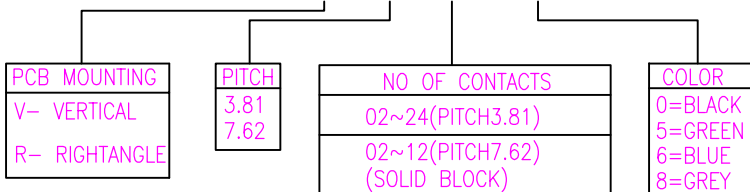
DESCRIPTION :TERMINAL BLOCK PLUGGABLE TYPE

PART NO: PTB396XC-XX-XXP-1X  
 1st X=PCB MOUNTING  
 2nd XX=PITCH  
 3rd XX=NO. OF CONTACTS  
 4th X=COLOR



## ORDERING INFORMATION

PTB396XC-XX-XXP-1X



A	ORIGINAL						
REV.	DESCRIPTION			DRN. BY	DATE	CK'ED BY	APP'D BY

Projection: 	Scale: NTS	Sht. Size: A4	Gen. Tol.: ±0.5mm ±0.2°	ALL DIMENSIONS ARE IN MM. IF UNLESS OTHERWISE SPECIFIED.
-----------------	------------	---------------	----------------------------	---