

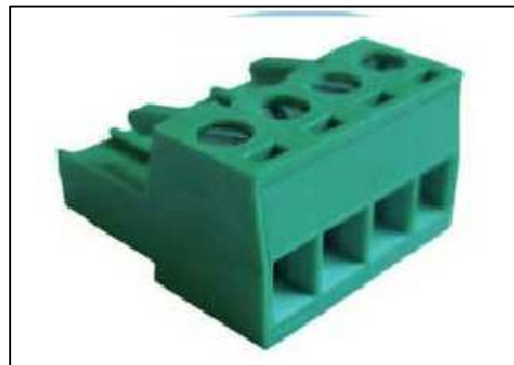


PROTECTRON ELECTROMECH (P) LTD

DESCRIPTION :TERMINAL BLOCK PLUGGABLE TYPE

PART NO: PTB396K-XX-XXP-1X
1st XX=PITCH
2nd XX=NO. OF CONTACTS
3rd X=COLOR

RoHS



PHYSICAL DATA

INSULATION

MATERIAL : THERMOPLASTIC(UL94V-0)

CONTACT

MATERIAL : COPPER ALLOY, TIN PLATED

PACKAGING TYPE

: BULK PACKING

ELECTRICAL DATA

RATED CURRENT : 8A

VOLTAGE RATING : 300V

WIRE RANGE

SOLID WIRE(AWG) : 16-28

STRANDED WIRE(AWG) : 16-28

TORQUE(Lb-In) : 1.7

SCREW : M2

WIRE STRIP LENGTH : 6-7mm

WITHSTANDING VOLTAGE : 1.6KV

ENVIRONMENTAL DATA

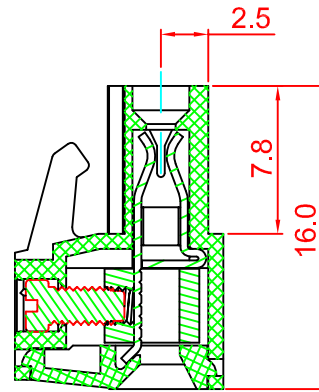
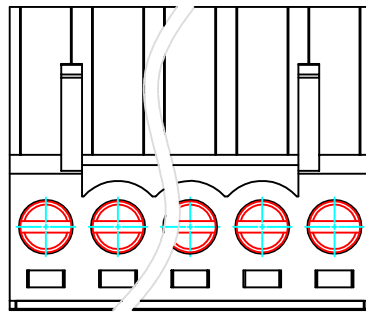
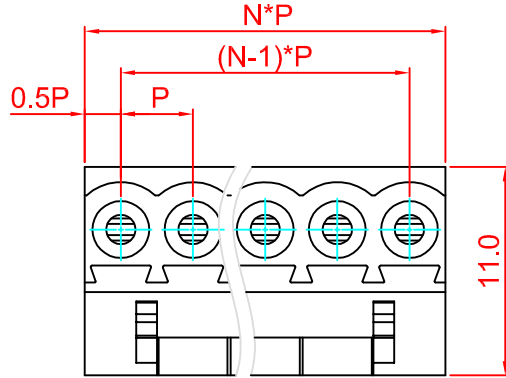
TEMPERATURE RANGE : -40° TO +105°C



PROTECTRON ELECTROMECH (P) LTD

DESCRIPTION :TERMINAL BLOCK PLUGGABLE TYPE

PART NO: PTB396K-XX-XXP-1X
1st XX=PITCH
2nd XX=NO. OF CONTACTS
3rd X=COLOR



ORDERING INFORMATION

PTB396K-XX-XXP-1X

PITCH
3.81
7.62

NO OF CONTACTS
02~24(PITCH3.81)
02~12(PITCH7.62)
(SOLID BLOCK)

COLOR
0=BLACK
5=GREEN
6=BLUE
8=GREY

A	ORIGINAL						
REV.	DESCRIPTION			DRN. BY	DATE	CK'ED BY	APP'D BY
Projection: 		Scale: NTS	Sht. Size: A4	Gen. Tol.: ±0.5mm ±0.2°	ALL DIMENSIONS ARE IN MM. IF UNLESS OTHERWISE SPECIFIED.		