



PROTECTRON ELECTROMECH (P) LTD

DESCRIPTION :TERMINAL BLOCK, PCB SPRING/SCREWLESS

PART NO: PTB390-XX-XXP-18

1st XX=PITCH
2nd XX=NO. OF CONTACTS

RoHS



PHYSICAL DATA

INSULATION

MATERIAL : THERMOPLASTIC(UL94V-0)

CONTACT

MATERIAL : COPPER ALLOY, TIN PLATED

PACKAGING TYPE

: BULK PACKING

ELECTRICAL DATA

RATED CURRENT : 7A

VOLTAGE RATING : 300V

WIRE RANGE

SOLID WIRE(AWG) : 18-22

STRANDED WIRE(AWG) : 18-22

WIRE STRIP LENGTH : 7-7.5mm

WITHSTANDING VOLTAGE : 1.6KV

ENVIRONMENTAL DATA

TEMPERATURE RANGE : -40° TO +105°C



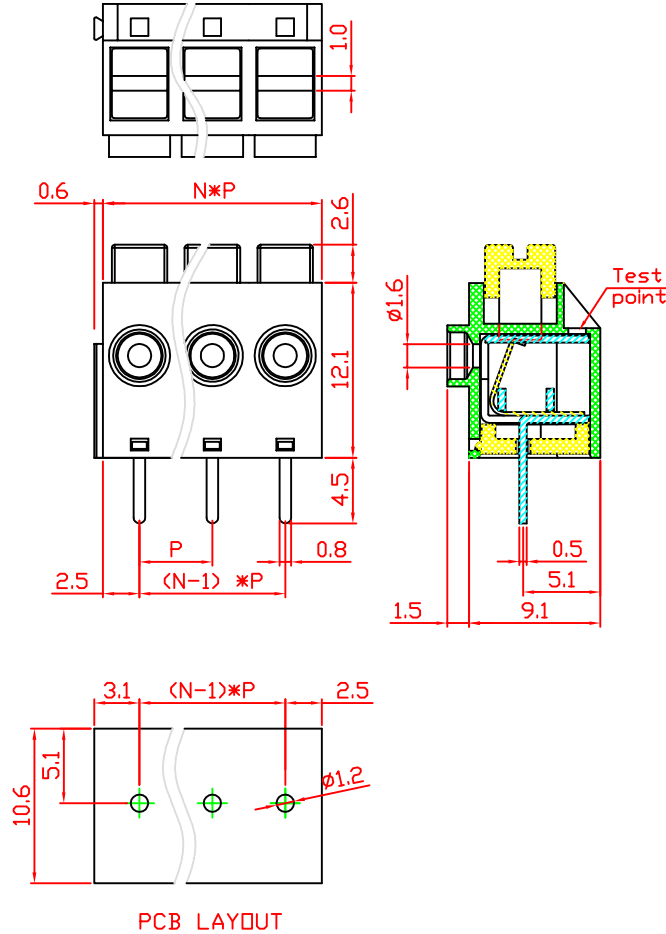
PROTECTRON ELECTROMECH (P) LTD

DESCRIPTION :TERMINAL BLOCK, PCB SPRING/SCREWLESS

PART NO: PTB390-XX-XXP-18

1st XX=PITCH

2nd XX=NO. OF CONTACTS



ORDERING INFORMATION

PTB390-XX-XXP-18

PITCH	NO OF CONTACTS
5.0	02~24(PITCH 5.0)
10.0	02~12(PITCH 10.0)
	(02&03CONTACTS STACKABLE)

A	ORIGINAL						
REV.	DESCRIPTION			DRN. BY	DATE	CK'ED BY	APP'D BY
Projection: 		Scale: NTS	Sht. Size: A4	Gen. Tol.: $\pm 0.5\text{mm}$ $\pm 0.2^\circ$	ALL DIMENSIONS ARE IN MM. IF UNLESS OTHERWISE SPECIFIED.		

<http://www.protectron.in>
protectron@protectron.in