



PROTECTRON ELECTROMECH (P) LTD

DESCRIPTION : TERMINAL BLOCK HEADER, RISING CLAMP TYPE

PART NO: PTB381A-XX-XXP-1X
1st XX=PITCH
2nd XX=NO. OF CONTACTS
3rd X=COLOR

RoHS



PHYSICAL DATA

MATERIAL : THERMOPLASTIC(UL94V-0)
CONTACT : COPPER ALLOY, TIN PLATED
PACKAGING TYPE : BULK PACKING

ELECTRICAL DATA

RATED CURRENT : 10A
DIELECTRIC VOLTAGE : 1600V AC/MIN
VOLTAGE RATING : 300V

ENVIRONMENTAL DATA

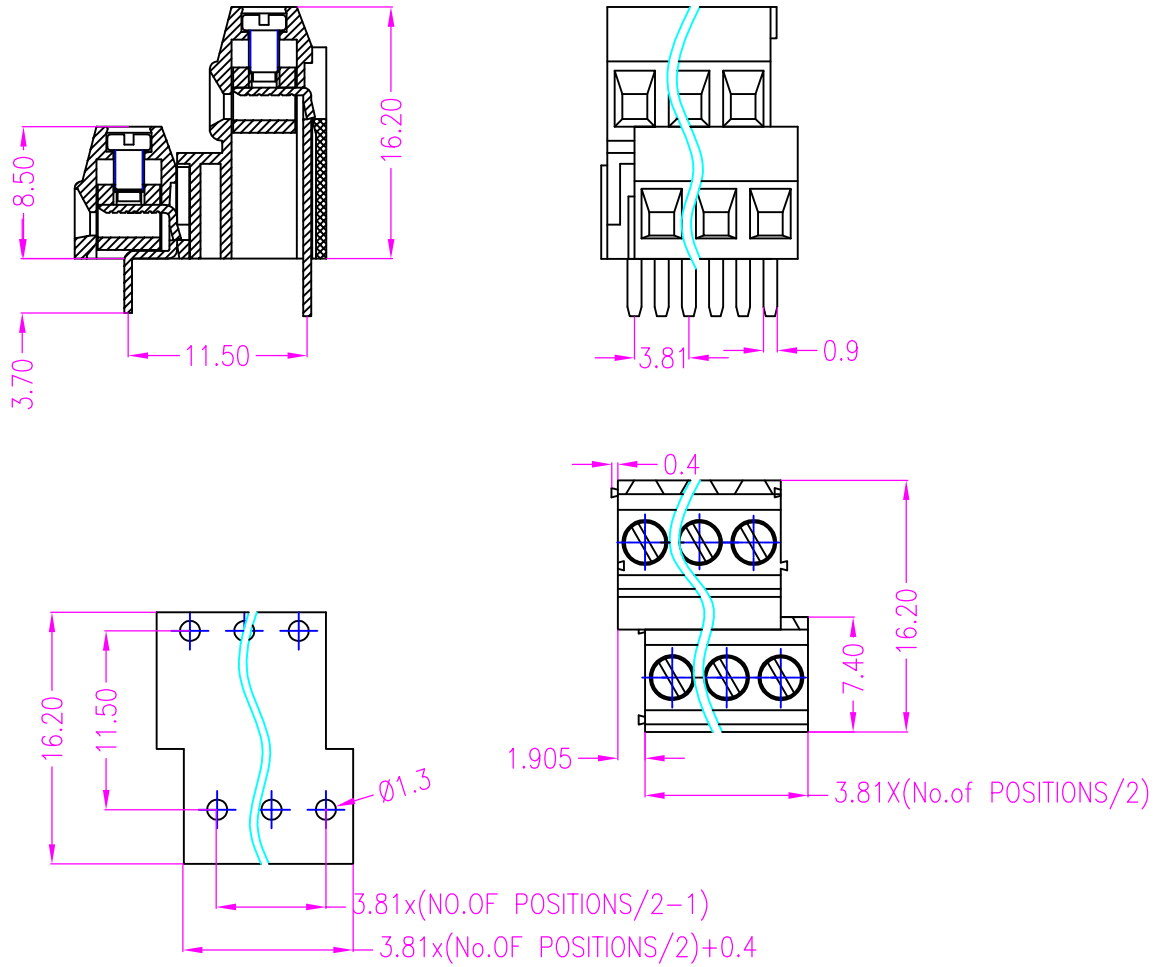
TEMPERATURE RANGE : -40° TO +115°C



PROTECTRON ELECTROMECH (P) LTD

DESCRIPTION :TERMINAL BLOCK HEADER, RISING CLAMP TYPE

PART NO: PTB381A-XX-XXP-1X
1st XX=PITCH
2nd XX=NO. OF CONTACTS
3rd X=COLOR



ORDERING INFORMATION

PTB381A-XX-XXP-1X

PITCH	NO OF CONTACTS	COLOR
3.50	02*02~2*24(PITCH 3.5/3.81)	0=BLACK
3.81		5=GREEN
7.0	02*02~2*12(PITCH 7.0/7.62)	6=BLUE
7.62	(02*02~2*03 CONTACTS STACKABLE)	8=GREY

A	ORIGINAL	SUJATHA	07.05.2014		
REV.	DESCRIPTION		DRN. BY	DATE	CK'ED BY APP'D BY

Projection: 	Scale: NTS	Sht. Size: A4	Gen. Tol.: $\pm 0.5\text{mm}$ $\pm 0.2^\circ$	ALL DIMENSIONS ARE IN MM. IF UNLESS OTHERWISE SPECIFIED.
-----------------	------------	---------------	--	---