



# PROTECTRON ELECTROMECH (P) LTD

DESCRIPTION : TERMINAL BLOCK HEADER, RISING CLAMP TYPE

PART NO: PTB381-XX-XXP-1X  
1st XX=PITCH  
2nd XX=NO. OF CONTACTS  
3rd X=COLOR

RoHS



## PHYSICAL DATA

MATERIAL : THERMOPLASTIC(UL94V-0)  
CONTACT : COPPER ALLOY, TIN PLATED  
PACKAGING TYPE : BULK PACKING

## ELECTRICAL DATA

RATED CURRENT : 10A  
DIELECTRIC VOLTAGE : 1600V AC/MIN  
VOLTAGE RATING : 300V  
CONTACT RESISTANCE : 20mΩ Max  
INSULATION RESISTANCE : 5000MΩ Min

## MECHANICAL DATA

TORQUE : 1.7Lb-In  
WIRE RANGE : 16~24AWG

## ENVIRONMENTAL DATA

TEMPERATURE RANGE : -40° TO +105°C

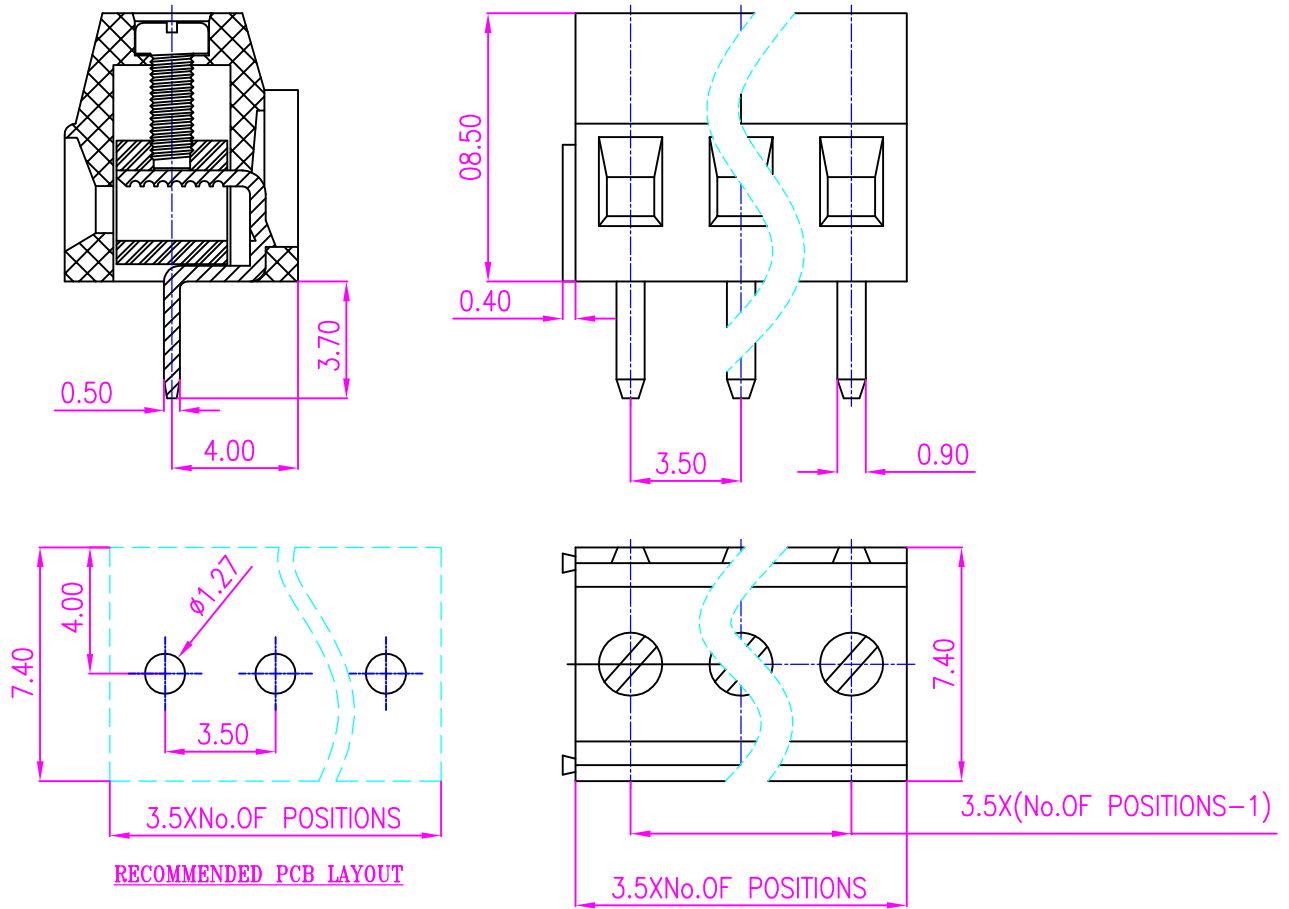


# PROTECTRON ELECTROMECH (P) LTD

DESCRIPTION :TERMINAL BLOCK HEADER, RISING CLAMP TYPE

PART NO: PTB381-XX-XXP-1X

1st XX=PITCH  
2nd XX=NO. OF CONTACTS  
3rd X=COLOR



## ORDERING INFORMATION

PTB381-XX-XXP-1X

PITCH	NO OF CONTACTS	COLOR
3.50	02~24(PITCH 3.5/3.81)	0=BLACK
3.81	02~12(PITCH 7.0/7.62)	5=GREEN
7.0	02&03 CONTACTS STACKABLE	6=BLUE
7.62		8=GREY

REV.	DESCRIPTION	DRN. BY	DATE	CK'ED BY	APP'D BY
A	ORIGINAL	SUJATHA	10.09.2014		

Projection:

Scale: NTS

Sht. Size: A4

Gen. Tol.:  $\pm 0.5\text{mm}$   
 $\pm 0.2^\circ$

ALL DIMENSIONS ARE IN MM.  
IF UNLESS OTHERWISE SPECIFIED.

<http://www.protectron.in>  
protectron@protectron.in