



PROTECTRON ELECTROMECH (P) LTD

DESCRIPTION : BARRIER TYPE TERMINAL BLOCK

PART NO: PTB35C-B-XXP-10
XX=NO. OF CONTACTS

RoHS



PHYSICAL DATA

MOLDED PARTS	:	PA66.Ul94V-0, BLACK
TERMINAL	:	BRASS 0.8t, TIN PLATED
TERMINAL SCREW	:	STEEL M3, Ni PLATED
PACKAGING TYPE	:	BULK PACKING

ELECTRICAL DATA

RATED	:	300V 20A
INSULATION WITHSTANDS VOLTAGE	:	AC2000V/MIN
INSULATION RESISTANCE	:	1000M Ω OR MORE AT DC500V
SCREW TORQUE VALUE	:	8.8Lb-In
WIRE RANGE	:	22-12 AWG

ENVIRONMENTAL DATA

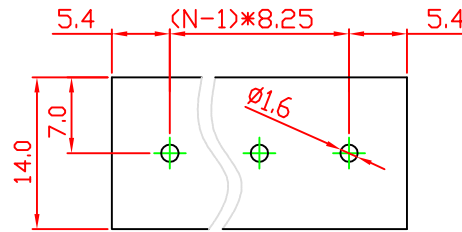
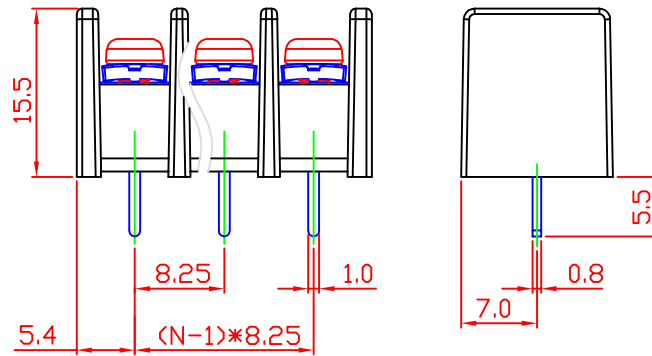
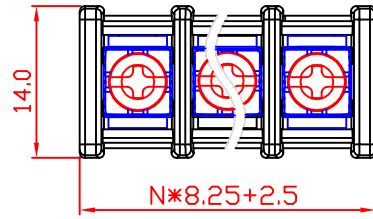
TEMPERATURE RANGE	:	-40° TO +115°C
-------------------	---	----------------



PROTECTRON ELECTROMECH (P) LTD

DESCRIPTION : BARRIER TYPE TERMINAL BLOCK

PART NO: PTB35C-B-XXP-10
XX=NO. OF CONTACTS



P.C.B LAYOUT

ORDERING INFORMATION

PTB35C-B-XXP-10

NO OF CONTACTS
02~30

A	ORIGINAL						
REV.	DESCRIPTION			DRN. BY	DATE	CK'ED BY	APP'D BY
Projection: 		Scale: NTS	Sht. Size: A4	Gen. Tol.: $\pm 1\text{mm}$ $\pm .2^\circ$	ALL DIMENSIONS ARE IN MM. IF UNLESS OTHERWISE SPECIFIED.		