



# PROTECTRON ELECTROMECH (P) LTD

DESCRIPTION :TERMINAL BLOCK PLUGGABLE TYPE

PART NO: PTB332K-XX-XXP-1X  
1st XX=PITCH  
2nd XX=NO. OF CONTACTS  
3rd X=COLOR

RoHS



## PHYSICAL DATA

### INSULATION

MATERIAL : THERMOPLASTIC(UL94V-0)

### CONTACT

MATERIAL : COPPER ALLOY, TIN PLATED

### PACKAGING TYPE

: BULK PACKING

## ELECTRICAL DATA

RATED CURRENT : 15A

VOLTAGE RATING : 300V

### WIRE RANGE

SOLID WIRE(AWG) : 14-22

STRANDED WIRE(AWG) : 14-22

TORQUE(Lb-In) : 3.5

SCREW : M2.6

WIRE STRIP LENGTH : 5-6mm

WITHSTANDING VOLTAGE : 1.6KV

## ENVIRONMENTAL DATA

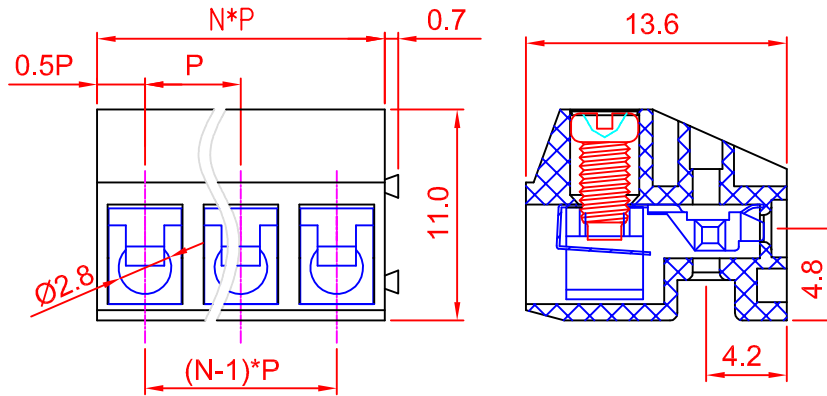
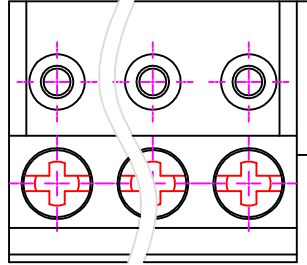
TEMPERATURE RANGE : -40° TO +105°C



# PROTECTRON ELECTROMECH (P) LTD

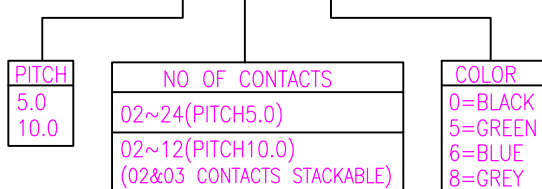
DESCRIPTION :TERMINAL BLOCK PLUGGABLE TYPE

PART NO: PTB332K-XX-XXP-1X  
1st XX=PITCH  
2nd XX=NO. OF CONTACTS  
3rd X=COLOR



## ORDERING INFORMATION

PTB332K-XX-XXP-1X



|      |             |  |  |         |      |          |          |
|------|-------------|--|--|---------|------|----------|----------|
| A    | ORIGINAL    |  |  |         |      |          |          |
| REV. | DESCRIPTION |  |  | DRN. BY | DATE | CK'ED BY | APP'D BY |

|                 |            |               |                            |   |
|-----------------|------------|---------------|----------------------------|---|
| Projection:<br> | Scale: NTS | Sht. Size: A4 | Gen. Tol.: ±0.5mm<br>±0.2° | ALL DIMENSIONS ARE IN MM.<br>IF UNLESS OTHERWISE SPECIFIED. |
|-----------------|------------|---------------|----------------------------|---|

<http://www.protectron.in>  
protectron@protectron.in