



PROTECTRON ELECTROMECH (P) LTD

DESCRIPTION : TERMINAL BLOCK HEADER STRAIGHT

PART NO: PTB308-XX-XXP-1X
1st XX=PITCH
2nd XX=NO. OF CONTACTS
3rd X=COLOR

RoHS



PHYSICAL DATA

MATERIAL	:	NYLON66,UL94V-0
TERMINAL	:	BRASS(CuZn),TIN PLATED
CAGE CLAMP	:	BRASS(CuZn),NICKEL PLATED
SCREW	:	STEEL M1.6,GALVANISED PLATED
PACKAGING TYPE	:	BULK PACKING

ELECTRICAL DATA

RATED CURRENT	:	6A
DIELECTRIC VOLTAGE	:	1300V AC/MIN
VOLTAGE RATING	:	150V
CONTACT RESISTANCE	:	20m Ω Max
INSULATION RESISTANCE	:	5000M Ω Min

MECHANICAL DATA

SCREW TORQUE	:	1.3Lb-In
WIRE RANGE	:	30~18AWG
WIRE STRIP LENGTH	:	4~5mm

ENVIRONMENTAL DATA

TEMPERATURE RANGE	:	-40° TO +105°C
SOLDER TEMPERATURE	:	245 \pm 10°C/5 SECONDS.

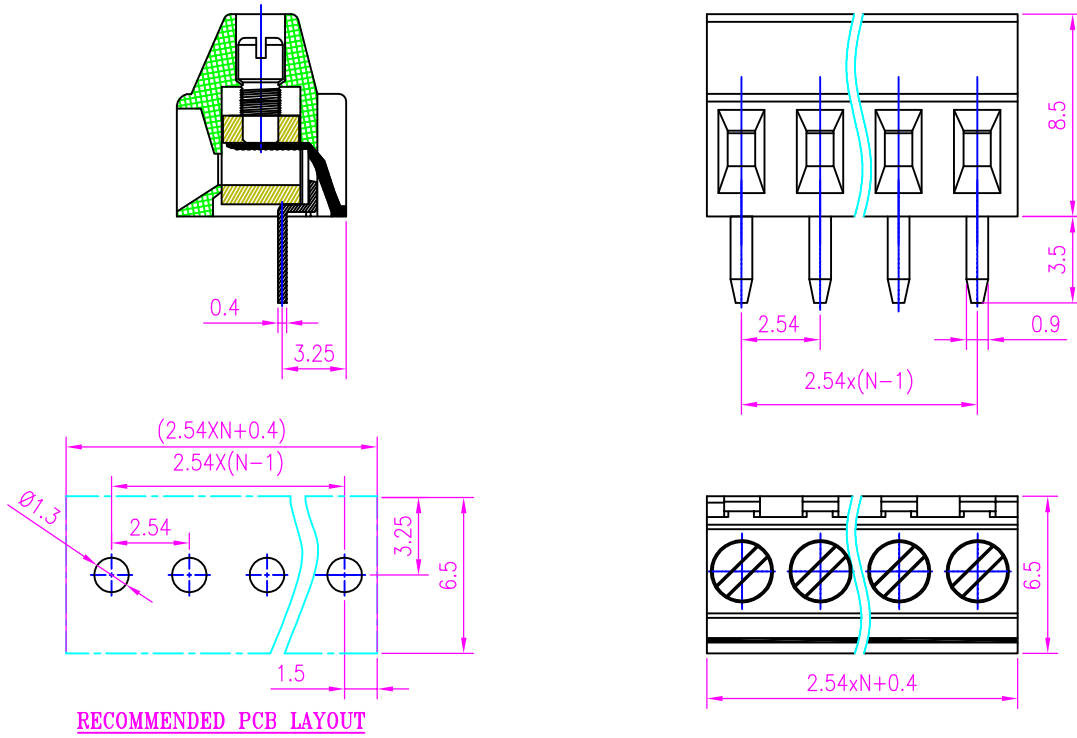


PROTECTRON ELECTROMECH (P) LTD

DESCRIPTION : TERMINAL BLOCK HEADER STRAIGHT

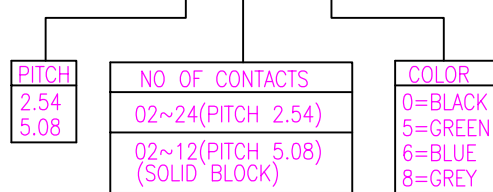
PART NO: PTB308-XX-XXP-1X

1st XX=PITCH
2nd XX=NO. OF CONTACTS
3rd X=COLOR



ORDERING INFORMATION

PTB308-XX-XXP-1X



A	ORIGINAL		VISHWA.P	10.09.2013		
REV.	DESCRIPTION			DRN. BY	DATE	CK'ED BY APP'D BY
Projection: 		Scale: NTS	Sht. Size: A4	Gen. Tol.: $\pm 0.5\text{mm}$ $\pm 0.2^\circ$	ALL DIMENSIONS ARE IN MM. IF UNLESS OTHERWISE SPECIFIED.	