



# PROTECTRON ELECTROMECH (P) LTD

DESCRIPTION :TERMINAL BLOCK, WIRE PROTECTOR TYPE

PART NO: PTB301W-XX-XXP-1X

1st XX=PITCH  
2nd XX=NO. OF CONTACTS  
3rd X=COLOR

RoHS



## PHYSICAL DATA

### INSULATION

MATERIAL : THERMOPLASTIC(UL94V-0)

### CONTACT

MATERIAL : COPPER ALLOY, TIN PLATED

### PACKAGING TYPE

: BULK PACKING

## ELECTRICAL DATA

RATED CURRENT : 15A

VOLTAGE RATING : 300V

### WIRE RANGE

SOLID WIRE(AWG) : 14-22

STRANDED WIRE(AWG) : 14-22

TORQUE(Lb-In) : 3.5

SCREW : M2.6

WIRE STRIP LENGTH : 5-6mm

WITHSTANDING VOLTAGE : 1.6KV

## ENVIRONMENTAL DATA

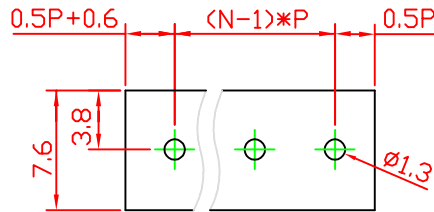
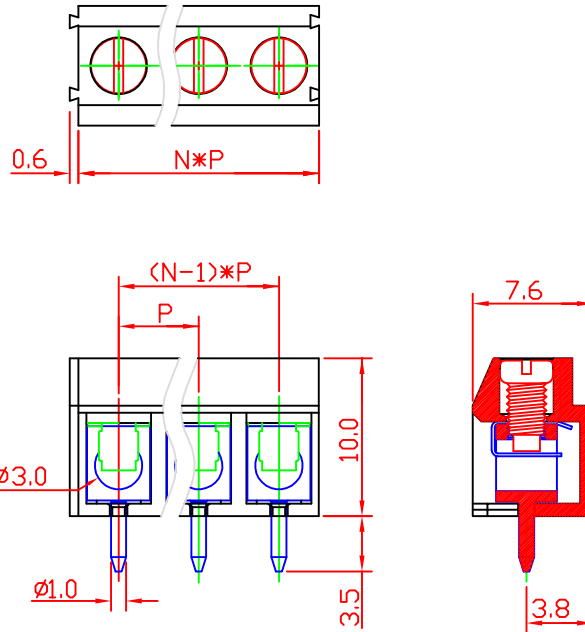
TEMPERATURE RANGE : -40° TO +105°C



# PROTECTRON ELECTROMECH (P) LTD

DESCRIPTION :TERMINAL BLOCK, WIRE PROTECTOR TYPE

PART NO: PTB301W-XX-XXP-1X  
 1st XX=PITCH  
 2nd XX=NO. OF CONTACTS  
 3rd X=COLOR



PCB LAYOUT

## ORDERING INFORMATION

PTB301W-XX-XXP-1X

<b>PITCH</b>	<b>NO OF CONTACTS</b>	<b>COLOR</b>
5.0	02~24(PITCH 5.0)	0=BLACK
10.0	02~12(PITCH 10.0)	5=GREEN
	02&03 CONTACTS STACKABLE	6=BLUE
		8=GREY

A	ORIGINAL						
REV.	DESCRIPTION			DRN. BY	DATE	CK'ED BY	APP'D BY

Projection: 	Scale: NTS	Sht. Size: A4	Gen. Tol.: $\pm 0.5\text{mm}$ $\pm 0.2^\circ$	ALL DIMENSIONS ARE IN MM. IF UNLESS OTHERWISE SPECIFIED.
-----------------	------------	---------------	--	---