



# PROTECTRON ELECTROMECH (P) LTD

DESCRIPTION : TERMINAL BLOCK, WIRE PROTECTOR TYPE

PART NO: PTB300-XX-XXP-1X-00

1st XX=PITCH  
2nd XX=NO. OF CONTACTS  
3rd X=COLOR

RoHS



## PHYSICAL DATA

### INSULATION

MATERIAL : THERMOPLASTIC(UL94V-0)

### CONTACT

MATERIAL : COPPER ALLOY, TIN PLATED

### PACKAGING TYPE

: BULK PACKING

## ELECTRICAL DATA

RATED CURRENT : 15A

VOLTAGE RATING : 300V

### WIRE RANGE

SOLID WIRE(AWG) : 14-22

STRANDED WIRE(AWG) : 14-22

TORQUE(Lb-In) : 3.5

SCREW : M3

WIRE STRIP LENGTH : 6-7mm

WITHSTANDING VOLTAGE : 1.6KV

## ENVIRONMENTAL DATA

TEMPERATURE RANGE : -40° TO +105°C

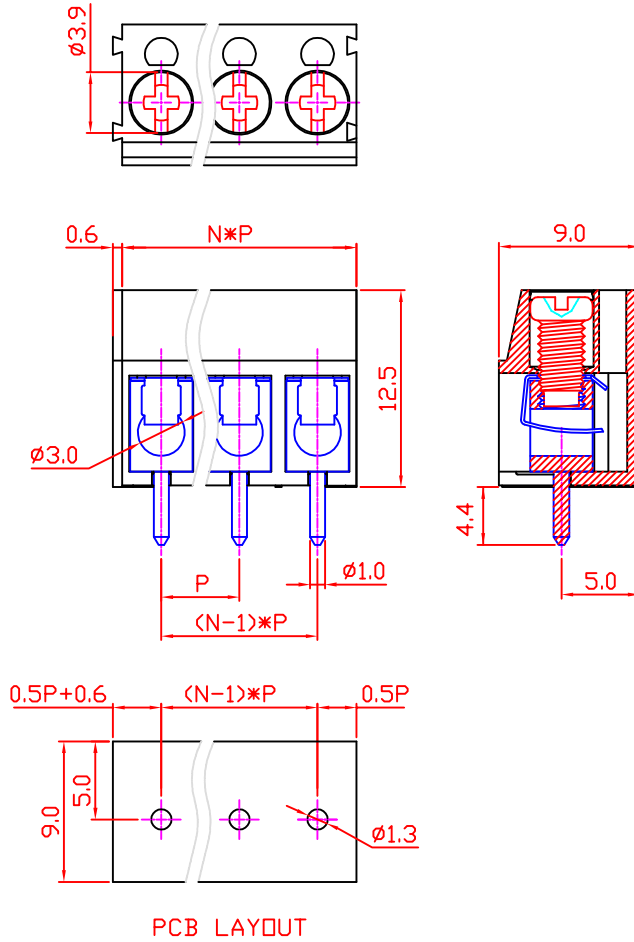


# PROTECTRON ELECTROMECH (P) LTD

DESCRIPTION :TERMINAL BLOCK, WIRE PROTECTOR TYPE

PART NO: PTB300-XX-XXP-1X-00

1st XX=PITCH  
2nd XX=NO. OF CONTACTS  
3rd X=COLOR



## ORDERING INFORMATION

PTB300-XX-XXP-1X-00

PITCH	NO OF CONTACTS	COLOR
5.0	02~24(PITCH5.0/5.08)	0=BLACK
5.08	02~16(PITCH7.5)	5=GREEN
7.50	02~12(PITCH10.0/10.16)	6=BLUE
10.0	02~08(PITCH15.0)	8=GREY
10.16	02&03 CONTACTS STACKABLE	
15.0		

REV.	DESCRIPTION	DRN. BY	DATE	CK'ED BY	APP'D BY
A	ORIGINAL				

Projection:

Scale: NTS

Sht. Size: A4

Gen. Tol.:  $\pm 0.5\text{mm}$   
 $\pm 0.2^\circ$

ALL DIMENSIONS ARE IN MM.  
IF UNLESS OTHERWISE SPECIFIED.