



PROTECTRON ELECTROMECH (P) LTD

DESCRIPTION : TERMINAL BLOCK HEADER HOUSING VERTICAL
MOUNT WITH SIDE LOCKING SCREWS & HOOK

PART NO:PTB2EDGKXM-XX-XXP-1X-00
1st X=BODY TYPE
2nd XX=PITCH
3rd XX=NO. OF CONTACTS
4th X=COLOR

RoHS



PHYSICAL DATA

MATERIAL : THERMOPLASTIC(UL94V-0)
CONTACT : COPPER ALLOY, TIN PLATED
PACKAGING TYPE : BULK PACKING

ELECTRICAL DATA

RATED CURRENT : 8A
INSULATION RESISTANCE : 5000M OHMS MIN
DIELECTRIC VOLATGE : 1600V AC/MIN
CONTACT RESISTANCE : 20m OHMS MAX
VOLTAGE RATING : 300V

ENVIRONMENTAL DATA

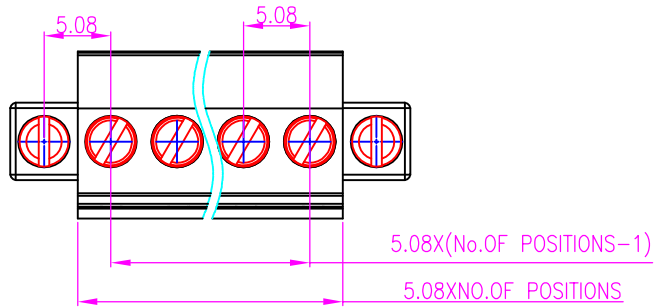
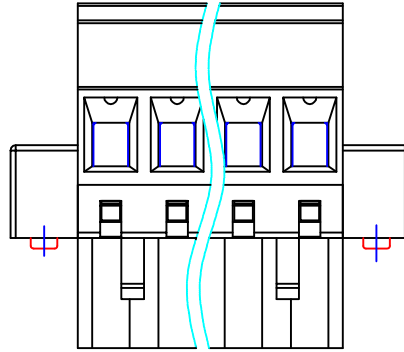
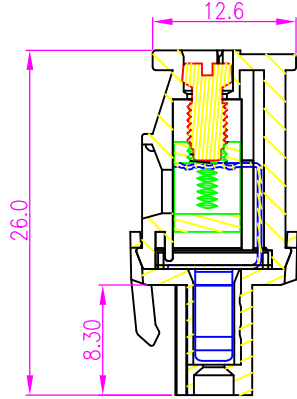
TEMPERATURE RANGE : -40° TO +105°C



PROTECTRON ELECTROMECH (P) LTD

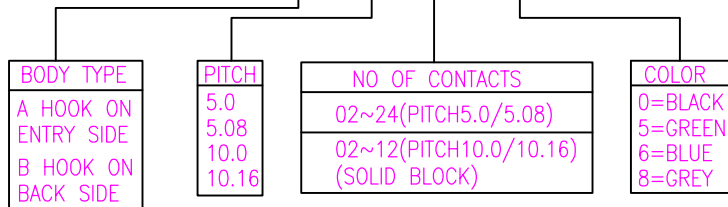
DESCRIPTION : TERMINAL BLOCK HEADER HOUSING VERTICAL MOUNT WITH SIDE LOCKING SCREWS & HOOK

PART NO:PTB2EDGKXM-XX-XXP-1X-00
1st X=BODY TYPE
2nd XX=PITCH
3rd XX=NO. OF CONTACTS
4th X=COLOR



ORDERING INFORMATION

PTB2EDGKXM-XX-XXP-1X-00



A	ORIGINAL	SUJATHA	19.02.2014		
REV.	DESCRIPTION	DRN. BY	DATE	CK'ED BY	APP'D BY

Projection: 	Scale: NTS	Sht. Size: A4	Gen. Tol.: ±0.5mm ±0.2°	ALL DIMENSIONS ARE IN MM. IF UNLESS OTHERWISE SPECIFIED.
-----------------	------------	---------------	----------------------------	---