



# PROTECTRON ELECTROMECH (P) LTD

DESCRIPTION :TERMINAL BLOCK, PCB SPRING/SCREWLESS

PART NO: PTB2EDGKD-XX-XXP-1X  
1st XX=PITCH  
2nd XX=NO. OF CONTACTS  
3rd X=COLOR

RoHS



## PHYSICAL DATA

### INSULATION

MATERIAL : THERMOPLASTIC(UL94V-0)

### CONTACT

MATERIAL : COPPER ALLOY, TIN PLATED

### PACKAGING TYPE

: BULK PACKING

## ELECTRICAL DATA

RATED CURRENT : 10A

VOLTAGE RATING : 300V

### WIRE RANGE

SOLID WIRE(AWG) : 12-26

STRANDED WIRE(AWG) : 12-26

WIRE STRIP LENGTH : 7-8mm

WITHSTANDING VOLTAGE : 1.6KV

## ENVIRONMENTAL DATA

TEMPERATURE RANGE : -40° TO +105°C

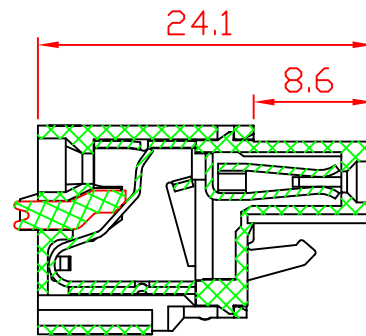
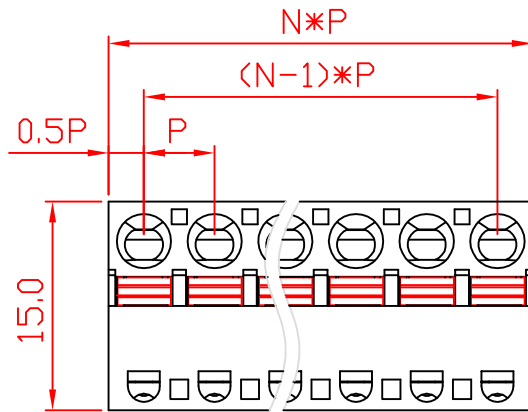
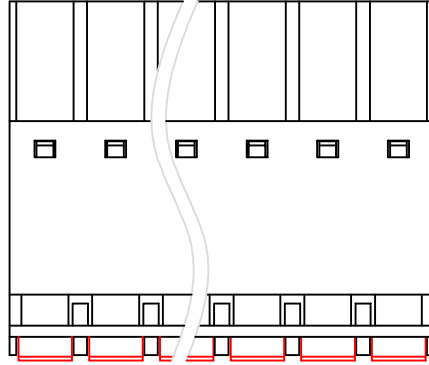


# PROTECTRON ELECTROMECH (P) LTD

DESCRIPTION :TERMINAL BLOCK, PCB SPRING/SCREWLESS

PART NO: PTB2EDGKD-XX-XXP-1X

1st XX=PITCH  
2nd XX=NO. OF CONTACTS  
3rd X=COLOR



## ORDERING INFORMATION

PTB2EDGKD-XX-XXP-1X

PITCH  
5.0  
5.08

NO OF CONTACTS  
02~24  
(SOLID BLOCK)

COLOR  
0=BLACK  
5=GREEN  
6=BLUE  
8=GREY

A	ORIGINAL						
REV.	DESCRIPTION			DRN. BY	DATE	CK'ED BY	APP'D BY
	Projection: 	Scale: NTS	Sht. Size: A4	Gen. Tol.: ±0.5mm ±0.2°	ALL DIMENSIONS ARE IN MM. IF UNLESS OTHERWISE SPECIFIED.		

<http://www.protectron.in>  
protectron@protectron.in