



PROTECTRON ELECTROMECH (P) LTD

DESCRIPTION : TERMINAL BLOCK PLUGGABLE TYPE

PART NO: PTB2EDGKCM-XX-XXP-1X

1st XX=PITCH

2nd XX=NO. OF CONTACTS

3rd X=COLOR

RoHS



PHYSICAL DATA

INSULATION

MATERIAL : THERMOPLASTIC(UL94V-0)

CONTACT

MATERIAL : COPPER ALLOY, TIN PLATED

PACKAGING TYPE

: BULK PACKING

ELECTRICAL DATA

RATED CURRENT : 12A

VOLTAGE RATING : 300V

WIRE RANGE

SOLID WIRE(AWG) : 12-22

STRANDED WIRE(AWG) : 12-22

TORQUE(Lb-In) : 3.5

SCREW : M2.5

WIRE STRIP LENGTH : 6-7mm

WITHSTANDING VOLTAGE : 1.6KV

ENVIRONMENTAL DATA

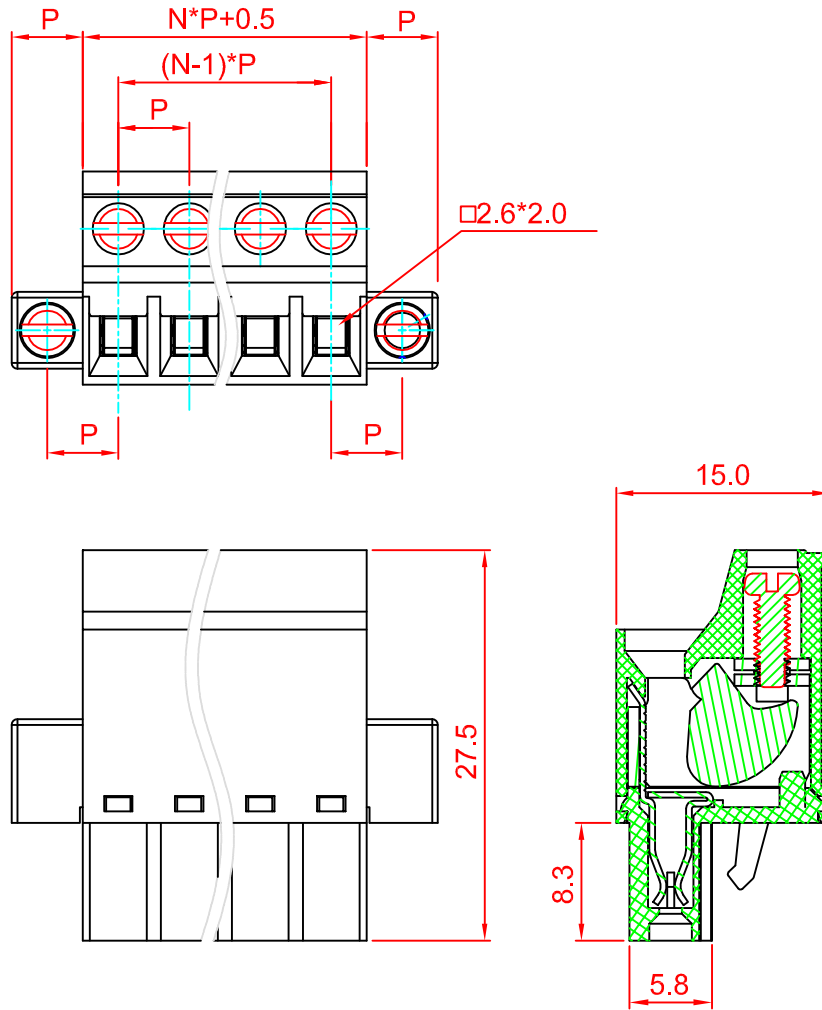
TEMPERATURE RANGE : -40° TO +105°C



PROTECTRON ELECTROMECH (P) LTD

DESCRIPTION :TERMINAL BLOCK PLUGGABLE TYPE

PART NO: PTB2EDGKCM-XX-XXP-1X
1st XX=PITCH
2nd XX=NO. OF CONTACTS
3rd X=COLOR



ORDERING INFORMATION

PTB2EDGKCM-XX-XXP-1X

PITCH 5.0 5.08 10.0 10.16	NO OF CONTACTS 02~24(PITCH5.0/5.08) 02~12(PITCH10.0/10.16) (SOLID BLOCK)	COLOR 0=BLACK 5=GREEN 6=BLUE 8=GREY
--	--	--

A	ORIGINAL						
REV.	DESCRIPTION			DRN. BY	DATE	CK'ED BY	APP'D BY
Projection: 		Scale: NTS	Sht. Size: A4	Gen. Tol.: ± 0.5 mm $\pm 0.2^*$	ALL DIMENSIONS ARE IN MM. IF UNLESS OTHERWISE SPECIFIED.		

<http://www.protectron.in>
protectron@protectron.in