



# PROTECTRON ELECTROMECH (P) LTD

DESCRIPTION : TERMINAL BLOCK PLUG HOUSING

PART NO: PTB2EDGK-XX-XXP-1X-00

1st XX=PITCH

2nd XX=NO. OF CONTACTS

3rd X=COLOR

RoHS



## PHYSICAL DATA

### INSULATION

MATERIAL : THERMOPLASTIC(UL94V-0)

### CONTACT

MATERIAL : COPPER ALLOY, TIN PLATED

PACKAGING TYPE : BULK PACKING

## ELECTRICAL DATA

RATED CURRENT : 12A  
INSULATION RESISTANCE : 5000M OHMS MIN  
DIELECTRIC VOLATGE : 1600V AC/MIN  
CONTACT RESISTANCE : 20m OHMS MAX  
VOLTAGE RATING : 300V

## ENVIRONMENTAL DATA

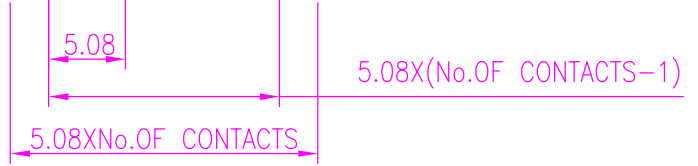
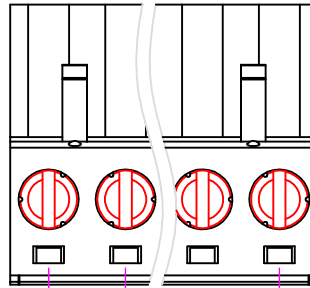
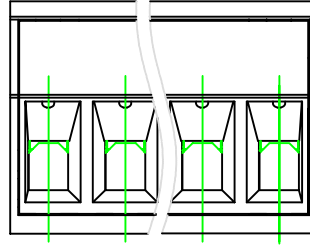
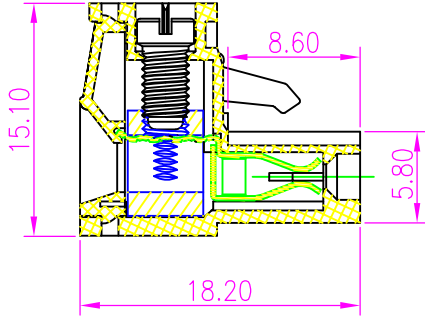
TEMPERATURE RANGE : -40° TO +115°C



# PROTECTRON ELECTROMECH (P) LTD

DESCRIPTION : TERMINAL BLOCK PLUG HOUSING

PART NO: PTB2EDGK-XX-XXP-1X-00  
1st XX=PITCH  
2nd XX=NO. OF CONTACTS  
3rd X=COLOR



## ORDERING INFORMATION

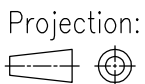
PTB2EDGK-XX-XXP-1X-00

| PITCH |
|-------|
| 5.0   |
| 5.08  |
| 10.0  |
| 10.16 |

| NO OF CONTACTS                          |
|---|
| 02~24(PITCH5.0/5.08)                    |
| 02~12(PITCH10.0/10.16)<br>(SOLID BLOCK) |

| COLOR   |
|---------|
| 0=BLACK |
| 5=GREEN |
| 6=BLUE  |
| 8=GREY  |

|      |             |         |            |          |          |
|------|-------------|---------|------------|----------|----------|
| A    | ORIGINAL    | SUJATHA | 29.08.2013 |          |          |
| REV. | DESCRIPTION | DRN. BY | DATE       | CK'ED BY | APP'D BY |



Scale: NTS

Sht. Size: A4

Gen. Tol.: ±0.5mm  
±0.2°

ALL DIMENSIONS ARE IN MM.  
IF UNLESS OTHERWISE SPECIFIED.