



PROTECTRON ELECTROMECH (P) LTD

DESCRIPTION :TERMINAL BLOCK, PCB SPRING/SCREWLESS

PART NO: PTB237-5.08-XXP-18
1st XX=NO. OF CONTACTS

RoHS



PHYSICAL DATA

INSULATION

MATERIAL : THERMOPLASTIC(UL94V-0)

CONTACT

MATERIAL : COPPER ALLOY, TIN PLATED

PACKAGING TYPE

: BULK PACKING

ELECTRICAL DATA

RATED CURRENT : 12A

VOLTAGE RATING : 300V

WIRE RANGE

SOLID WIRE(AWG) : 16-22

STRANDED WIRE(AWG) : 16-22

WIRE STRIP LENGTH : 6-7mm

WITHSTANDING VOLTAGE : 1.6KV

ENVIRONMENTAL DATA

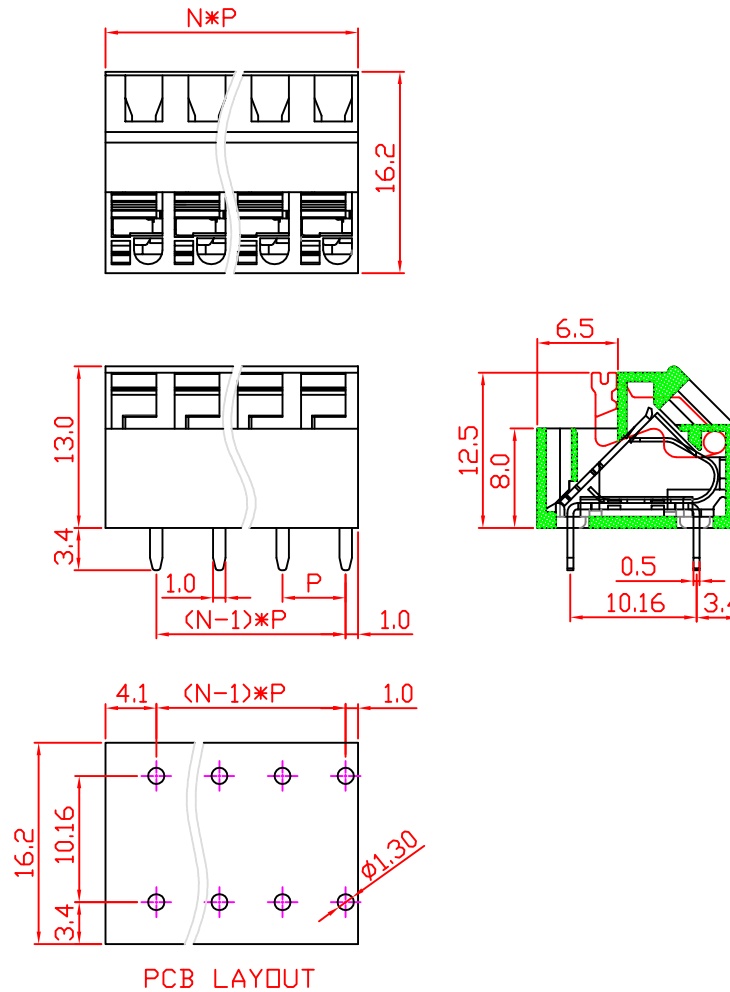
TEMPERATURE RANGE : -40° TO +105°C



PROTECTRON ELECTROMECH (P) LTD

DESCRIPTION :TERMINAL BLOCK, PCB SPRING/SCREWLESS

PART NO: PTB237-5.08-XXP-18
1st XX=NO. OF CONTACTS



ORDERING INFORMATION

PTB237-5.08-XXP-18

NO OF CONTACTS
02~24
(SOLID BLOCK)

A	ORIGINAL						
REV.	DESCRIPTION			DRN. BY	DATE	CK'ED BY	APP'D BY
Projection: 		Scale: NTS	Sht. Size: A4	Gen. Tol.: $\pm 0.5\text{mm}$ $\pm 0.2^\circ$	ALL DIMENSIONS ARE IN MM. IF UNLESS OTHERWISE SPECIFIED.		

<http://www.protectron.in>
protectron@protectron.in