



# PROTECTRON ELECTROMECH (P) LTD

DESCRIPTION :TERMINAL BLOCK, WIRE PROTECTOR TYPE

PART NO: PTB167R-XX-XXP-18

1st XX=PITCH  
2nd XX=NO. OF CONTACTS

RoHS



## PHYSICAL DATA

### INSULATION

MATERIAL : THERMOPLASTIC(UL94V-0)

### CONTACT

MATERIAL : COPPER ALLOY, TIN PLATED

### PACKAGING TYPE

: BULK PACKING

## ELECTRICAL DATA

RATED CURRENT : 10A

VOLTAGE RATING : 300V

### WIRE RANGE

SOLID WIRE(AWG) : 12-22

STRANDED WIRE(AWG) : 12-22

TORQUE(Lb-In) : 3.5

SCREW : M2.5

WIRE STRIP LENGTH : 6-7mm

WITHSTANDING VOLTAGE : 1.6KV

## ENVIRONMENTAL DATA

TEMPERATURE RANGE : -40° TO +105°C

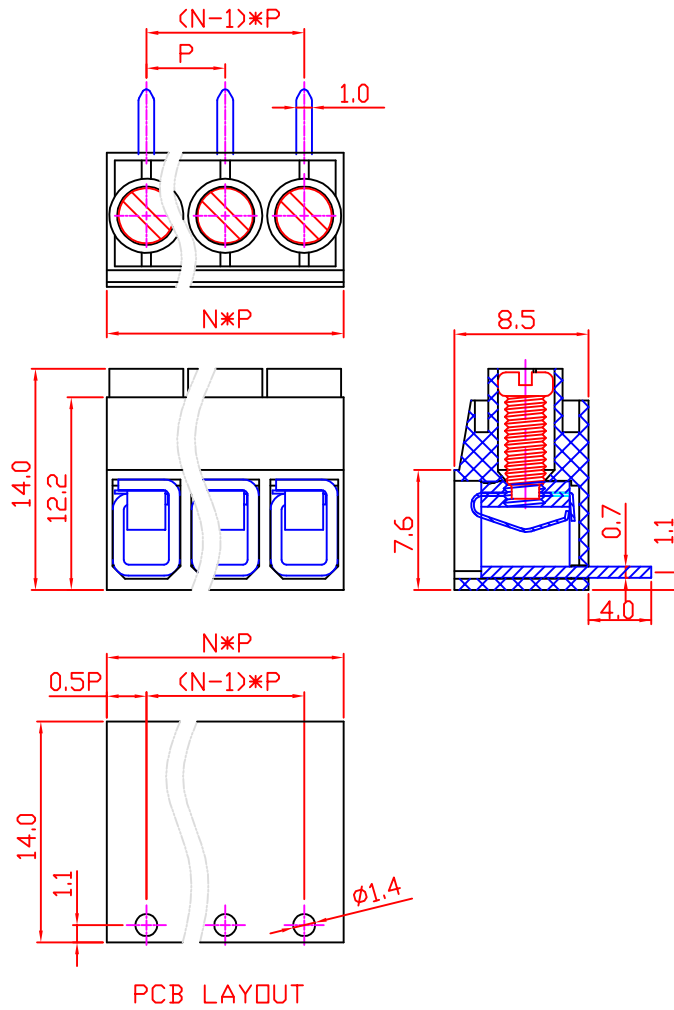


# PROTECTRON ELECTROMECH (P) LTD

DESCRIPTION :TERMINAL BLOCK, WIRE PROTECTOR TYPE

PART NO: PTB167R-XX-XXP-18

1st XX=PITCH  
2nd XX=NO. OF CONTACTS



## ORDERING INFORMATION

PTB167R-XX-XXP-18

PITCH	5.0
	10.0
NO OF CONTACTS	02~24(PITCH 5.0)
	02~12(PITCH 10.0) (SOLID BLOCK)

A	ORIGINAL						
REV.	DESCRIPTION			DRN. BY	DATE	CK'ED BY	APP'D BY
Projection: 		Scale: NTS	Sht. Size: A4	Gen. Tol.: $\pm 0.5\text{mm}$ $\pm 0.2^\circ$	ALL DIMENSIONS ARE IN MM. IF UNLESS OTHERWISE SPECIFIED.		

<http://www.protectron.in>  
protectron@protectron.in