



PROTECTRON ELECTROMECH (P) LTD

DESCRIPTION :TERMINAL BLOCK PLUGGABLE TYPE

PART NO: PTB15EDGXTM-XX-XXP-1X
1st X=PCB MOUNTING
2nd XX=PITCH
3rd XX=NO. OF CONTACTS
4th X=COLOR

RoHS



PHYSICAL DATA

INSULATION

MATERIAL : THERMOPLASTIC(UL94V-0)

CONTACT

MATERIAL : COPPER ALLOY, TIN PLATED

PACKAGING TYPE

: BULK PACKING

ELECTRICAL DATA

RATED CURRENT : 8A

VOLTAGE RATING : 300V

WITHSTANDING VOLTAGE : 1.6KV

ENVIRONMENTAL DATA

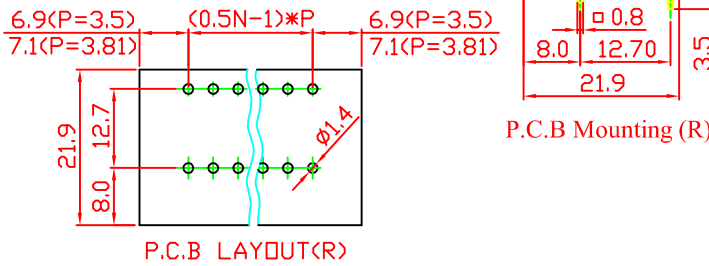
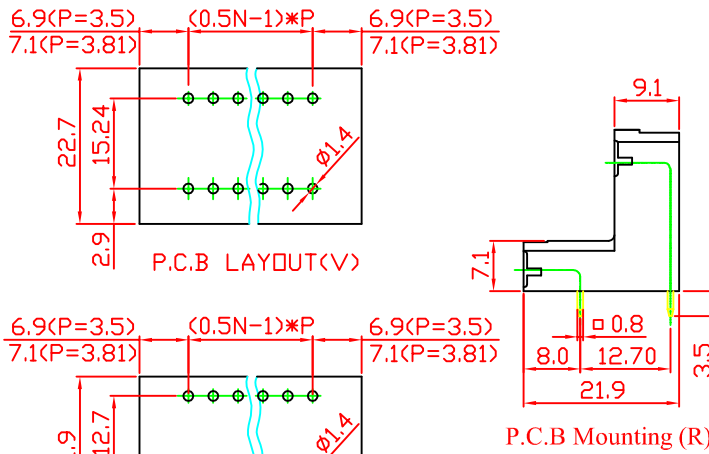
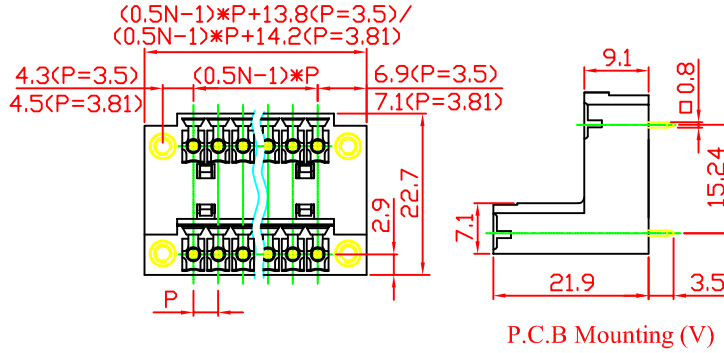
TEMPERATURE RANGE : -40° TO +105°C



PROTECTRON ELECTROMECH (P) LTD

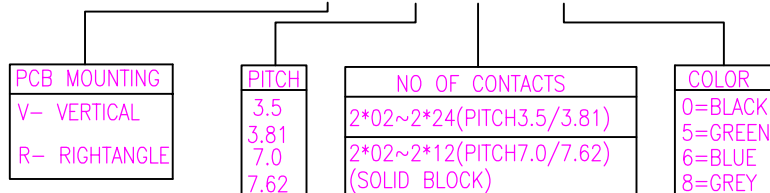
DESCRIPTION :TERMINAL BLOCK PLUGGABLE TYPE

PART NO: PTB15EDGXTM-XX-XXP-1X
 1st X=PCB MOUNTING
 2nd XX=PITCH
 3rd XX=NO. OF CONTACTS
 4th X=COLOR



ORDERING INFORMATION

PTB15EDGXTM-XX-XXP-1X



A	ORIGINAL						
REV.	DESCRIPTION			DRN. BY	DATE	CK'ED BY	APP'D BY
	Projection: 	Scale: NTS	Sht. Size: A4	Gen. Tol.: ±0.5mm ±0.2°	ALL DIMENSIONS ARE IN MM. IF UNLESS OTHERWISE SPECIFIED.		