



# PROTECTRON ELECTROMECH (P) LTD

DESCRIPTION : TERMINAL BLOCK HOUSING VERTICAL MOUNT WITH HOOK

PART NO:PTB15EDGKX-XX-XXP-1X-00  
1st X=BODY TYPE  
2nd XX=PITCH  
3rd XX=NO. OF CONTACTS  
4th X=COLOR

RoHS



## PHYSICAL DATA

MATERIAL	:	THERMOPLASTIC(UL94V-0)
SCREW	:	STEEL,M2 Cr3 ZINC PLATED
CLAMP	:	COPPER ALLOY, NICKEL PLATED
PACKAGING TYPE	:	BULK PACKING

## ELECTRICAL DATA

RATED CURRENT	:	8A
INSULATION RESISTANCE	:	5000M OHMS MIN
DIELECTRIC VOLATGE	:	1600V AC/MIN
CONTACT RESISTANCE	:	20m OHMS MAX
VOLTAGE RATING	:	300V

## MECHANICAL DATA

SCREW TORQUE	:	1.7Lb-in/contact Min.
WIRE RANGE	:	28~16AWG

## ENVIRONMENTAL DATA

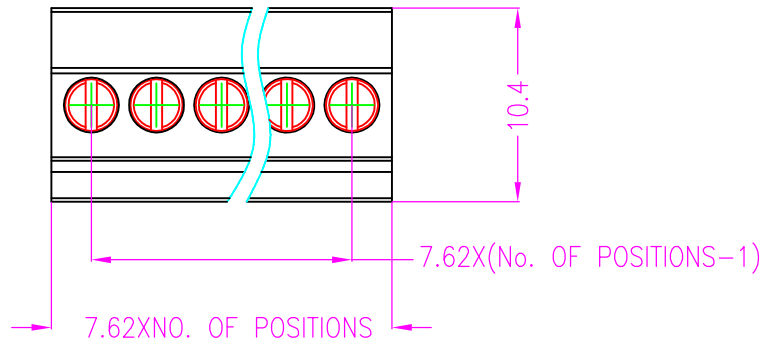
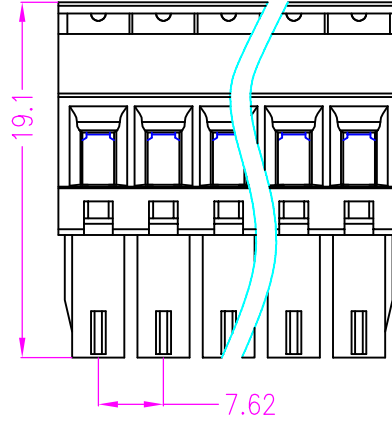
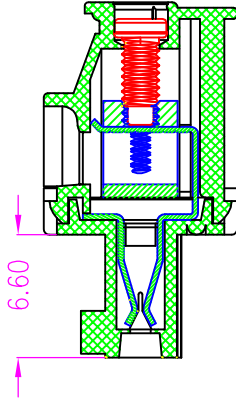
TEMPERATURE RANGE	:	-40° TO +105°C
-------------------	---	----------------



# PROTECTRON ELECTROMECH (P) LTD

DESCRIPTION : TERMINAL BLOCK HOUSING VERTICAL MOUNT WITH HOOK

PART NO:PTB15EDGKX-XX-XXP-1X-00  
1st X=BODY TYPE  
2nd XX=PITCH  
3rd XX=NO. OF CONTACTS  
4th X=COLOR



## ORDERING INFORMATION

PTB15EDGKX-XX-XXP-1X-00

<b>BODY TYPE</b> A HOOK ON ENTRY SIDE B HOOK ON BACK SIDE	<b>PITCH</b> 3.50 3.81 7.0 7.62	<b>NO OF CONTACTS</b> 02~24(PITCH3.5/3.81) 02~12(PITCH7.0/7.62) (SOLID BLOCK)	<b>COLOR</b> 0=BLACK 5=GREEN 6=BLUE 8=GREY
---	---	--	--

A	ORIGINAL	SUJATHA	18.02.2014			
REV.	DESCRIPTION		DRN. BY	DATE	CK'ED BY	APP'D BY

Projection: 	Scale: NTS	Sht. Size: A4	Gen. Tol.: ±0.5mm ±0.2°	ALL DIMENSIONS ARE IN MM. IF UNLESS OTHERWISE SPECIFIED.
-----------------	------------	---------------	----------------------------	---

<http://www.protectron.in>  
protectron@protectron.in