



# PROTECTRON ELECTROMECH (P) LTD

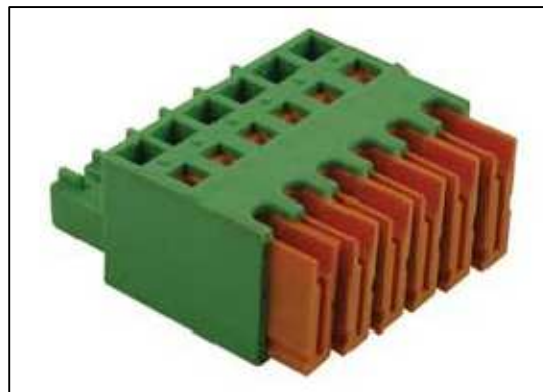
DESCRIPTION :TERMINAL BLOCK, PCB SPRING/SCREWLESS

PART NO: PTB15EDGKDI-3.81-XXP-1X

1st XX=NO. OF CONTACTS

2nd X=COLOR

RoHS



## PHYSICAL DATA

### INSULATION

MATERIAL : THERMOPLASTIC(UL94V-0)

### CONTACT

MATERIAL : COPPER ALLOY, TIN PLATED

### PACKAGING TYPE

: BULK PACKING

## ELECTRICAL DATA

RATED CURRENT : 6A

VOLTAGE RATING : 300V

### WIRE RANGE

SOLID WIRE(AWG) : 20-24

STRANDED WIRE(AWG) : 20-24

WITHSTANDING VOLTAGE : 1.6KV

## ENVIRONMENTAL DATA

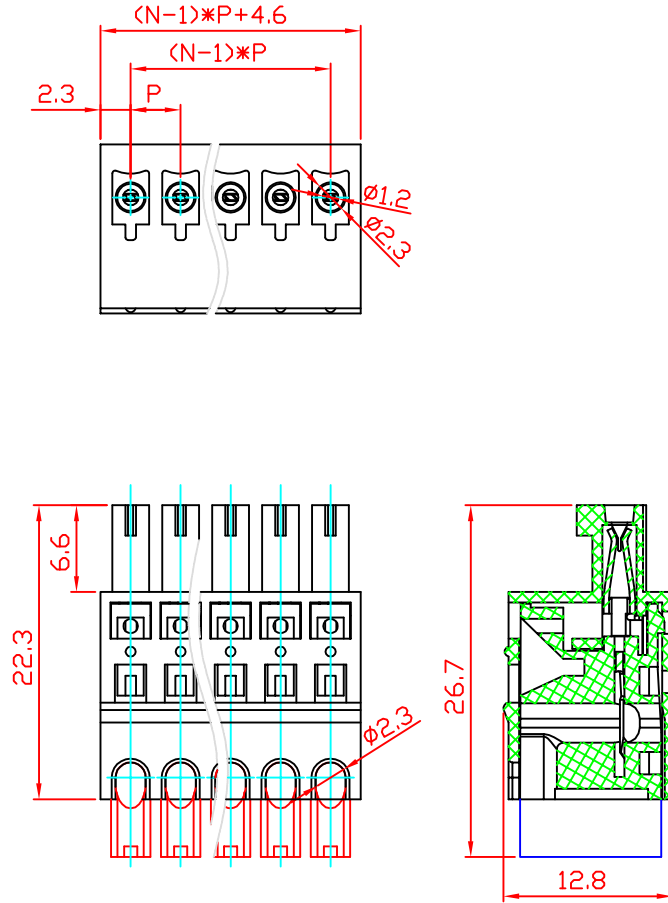
TEMPERATURE RANGE : -40° TO +105°C



# PROTECTRON ELECTROMECH (P) LTD

DESCRIPTION :TERMINAL BLOCK, PCB SPRING/SCREWLESS

PART NO: PTB15EDGKDI-3.81-XXP-1X  
1st XX=NO. OF CONTACTS  
2nd X=COLOR



## ORDERING INFORMATION

PTB15EDGKDI-3.81-XXP-1X

NO. OF CONTACTS 02~24 (SOLID BLOCK)	COLOR 0=BLACK 5=GREEN 6=BLUE 8=GREY
---	---

A	ORIGINAL						
REV.	DESCRIPTION			DRN. BY	DATE	CK'ED BY	APP'D BY
Projection: 		Scale: NTS	Sht. Size: A4	Gen. Tol.: $\pm 0.5\text{mm}$ $\pm 0.2^\circ$	ALL DIMENSIONS ARE IN MM. IF UNLESS OTHERWISE SPECIFIED.		

<http://www.protectron.in>  
[protectron@protectron.in](mailto:protectron@protectron.in)