



# PROTECTRON ELECTROMECH (P) LTD

DESCRIPTION : TERMINAL BLOCK PLUGGABLE TYPE

PART NO: PTB15EDGKCM-XX-XXP-1X

1st XX=PITCH  
2nd XX=NO. OF CONTACTS  
3rd X=COLOR

RoHS



## PHYSICAL DATA

### INSULATION

MATERIAL : THERMOPLASTIC(UL94V-0)

### CONTACT

MATERIAL : COPPER ALLOY, TIN PLATED

### PACKAGING TYPE

: BULK PACKING

## ELECTRICAL DATA

RATED CURRENT : 10A

VOLTAGE RATING : 300V

### WIRE RANGE

SOLID WIRE(AWG) : 16-28

STRANDED WIRE(AWG) : 16-28

TORQUE(Lb-In) : 1.7

SCREW : M2

WIRE STRIP LENGTH : 6-7mm

WITHSTANDING VOLTAGE : 1.6KV

## ENVIRONMENTAL DATA

TEMPERATURE RANGE : -40° TO +105°C

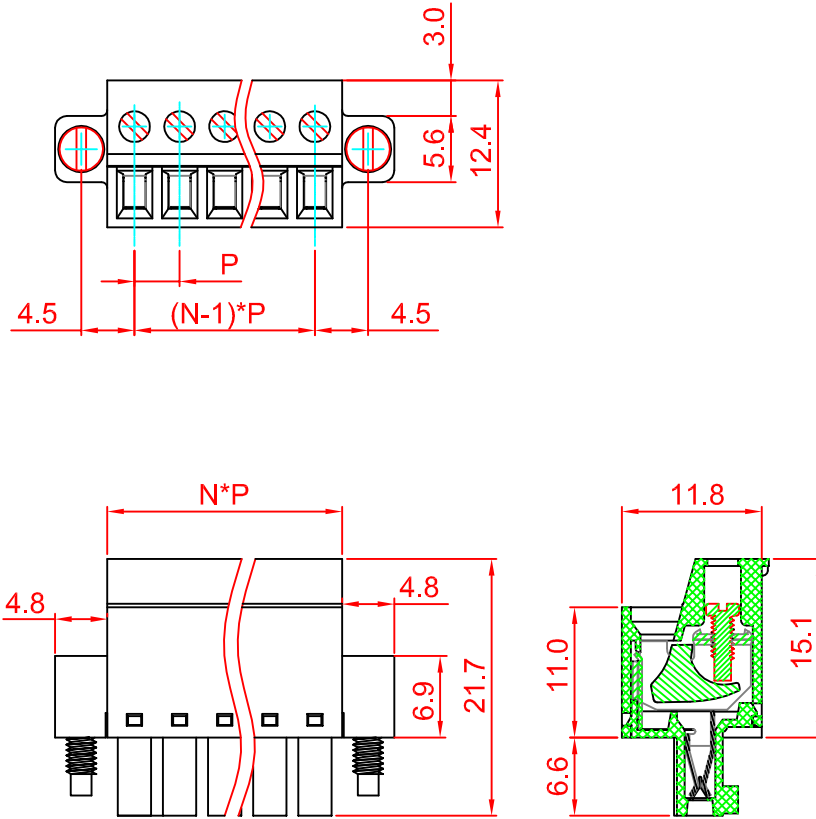


# PROTECTRON ELECTROMECH (P) LTD

DESCRIPTION : TERMINAL BLOCK PLUGGABLE TYPE

PART NO: PTB15EDGKCM-XX-XXP-1X

1st XX=PITCH  
2nd XX=NO. OF CONTACTS  
3rd X=COLOR



## ORDERING INFORMATION

PTB15EDGKCM-XX-XXP-1X

PITCH
3.81
7.62

NO OF CONTACTS
02~24(PITCH3.81)
02~12(PITCH7.62) (SOLID BLOCK)

COLOR
0=BLACK
5=GREEN
6=BLUE
8=GREY

A	ORIGINAL						
REV.	DESCRIPTION			DRN. BY	DATE	CK'ED BY	APP'D BY
Projection: 		Scale: NTS	Sht. Size: A4	Gen. Tol.: ±0.5mm ±0.2°	ALL DIMENSIONS ARE IN MM. IF UNLESS OTHERWISE SPECIFIED.		