



# PROTECTRON ELECTROMECH (P) LTD

DESCRIPTION :TERMINAL BLOCK, RISING CLAMP TYPE

PART NO: PTB139-19.0-XXP-1X

1st XX=NO. OF CONTACTS

2nd X=COLOR

RoHS



## PHYSICAL DATA

### INSULATION

MATERIAL : THERMOPLASTIC(UL94V-0)

### CONTACT

MATERIAL : COPPER ALLOY, TIN PLATED

### PACKAGING TYPE

: BULK PACKING

## ELECTRICAL DATA

RATED CURRENT : 100A

VOLTAGE RATING : 600V

### WIRE RANGE

SOLID WIRE(AWG) : 3-18

STRANDED WIRE(AWG) : 3-18

TORQUE(Lb-In) : 30

SCREW : M5

WIRE STRIP LENGTH : 12-15mm

WITHSTANDING VOLTAGE : 2.2KV

## ENVIRONMENTAL DATA

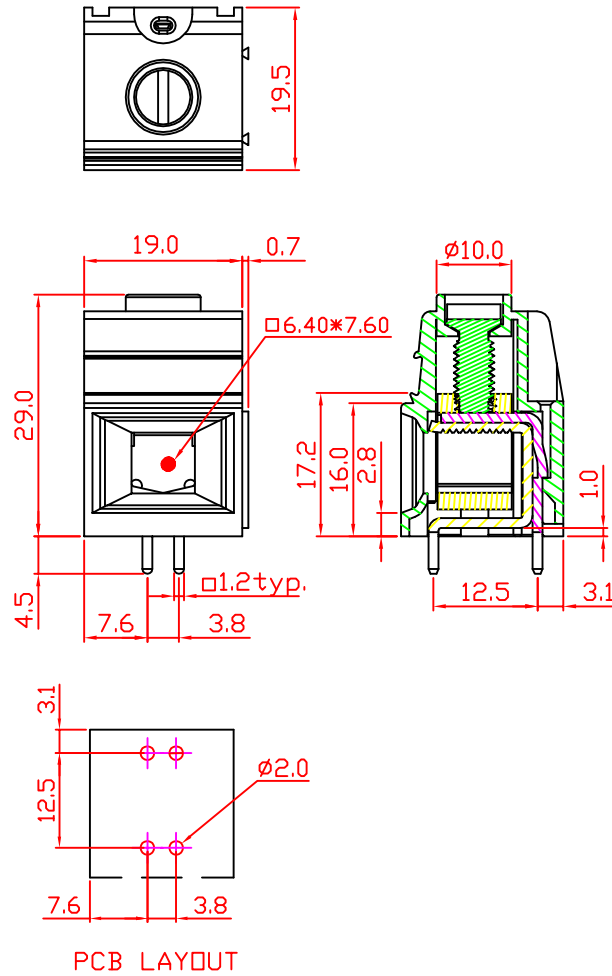
TEMPERATURE RANGE : -40° TO +105°C



# PROTECTRON ELECTROMECH (P) LTD

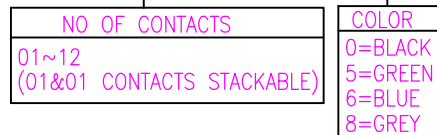
DESCRIPTION :TERMINAL BLOCK, RISING CLAMP TYPE

PART NO: PTB139-19.0-XXP-1X  
1st XX=NO. OF CONTACTS  
2nd X=COLOR



## ORDERING INFORMATION

PTB139-19.0-XXP-1X



A	ORIGINAL						
REV.	DESCRIPTION			DRN. BY	DATE	CK'ED BY	APP'D BY
Projection: 		Scale: NTS	Sht. Size: A4	Gen. Tol.: ±0.5mm ±0.2°	ALL DIMENSIONS ARE IN MM. IF UNLESS OTHERWISE SPECIFIED.		

<http://www.protectron.in>  
protectron@protectron.in