



PROTECTRON ELECTROMECH (P) LTD

DESCRIPTION :TERMINAL BLOCK, WIRE PROTECTOR TYPE

PART NO: PTB105R-5.0-XXP-1X

1st XX=NO. OF CONTACTS
2nd X=COLOR

RoHS



PHYSICAL DATA

INSULATION

MATERIAL : THERMOPLASTIC(UL94V-0)

CONTACT

MATERIAL : COPPER ALLOY, TIN PLATED

PACKAGING TYPE

: BULK PACKING

ELECTRICAL DATA

RATED CURRENT : 20A

VOLTAGE RATING : 300V

WIRE RANGE

SOLID WIRE(AWG) : 12-22

STRANDED WIRE(AWG) : 12-22

TORQUE(Lb-In) : 3.5

SCREW : M2.5

WIRE STRIP LENGTH : 10-11mm

WITHSTANDING VOLTAGE : 1.6KV

ENVIRONMENTAL DATA

TEMPERATURE RANGE : -40° TO +105°C

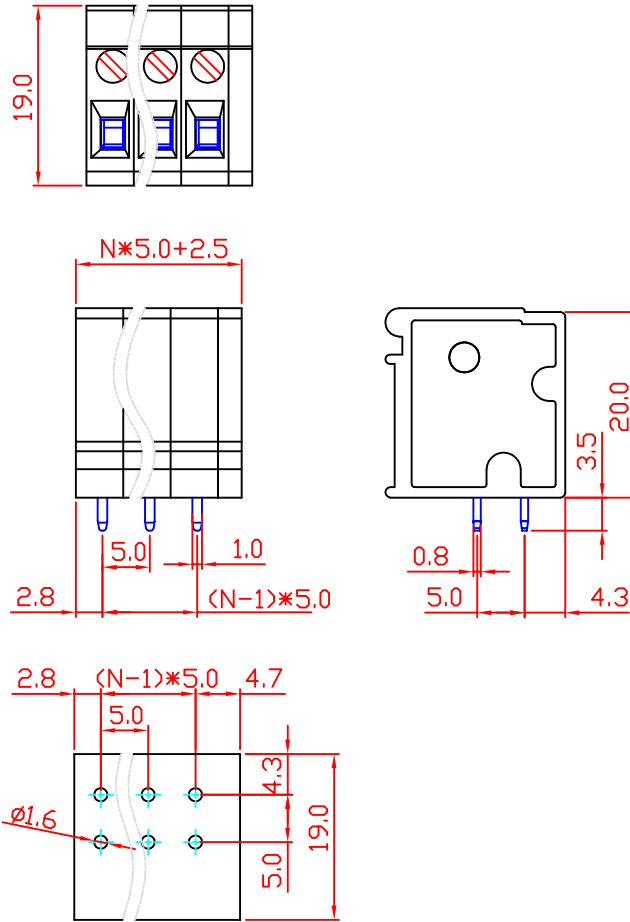


PROTECTRON ELECTROMECH (P) LTD

DESCRIPTION :TERMINAL BLOCK, WIRE PROTECTOR TYPE

PART NO: PTB105R-5.0-XXP-1X

1st XX=NO. OF CONTACTS
2nd X=COLOR



PCB LAYOUT

ORDERING INFORMATION

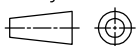
PTB105R-5.0-XXP-1X

NO OF CONTACTS
02~24

COLOR
0=BLACK
5=GREEN
6=BLUE
8=GREY

A	ORIGINAL						
REV.	DESCRIPTION			DRN. BY	DATE	CK'ED BY	APP'D BY

Projection:



Scale: NTS

Sht. Size: A4

Gen. Tol.: $\pm 0.5\text{mm}$
 $\pm 0.2^\circ$

ALL DIMENSIONS ARE IN MM.
IF UNLESS OTHERWISE SPECIFIED.