



PROTECTRON ELECTROMECH (P) LTD

DESCRIPTION : 5 x 20, CERAMIC CARTRIDGE TIME DELAY FUSE

PART NO: PSTC In

APPROVALS:



| | | |
|-------------------|---|-------------------------------|
| SPECIFICATIONS | : | IEC 60127-2, SHEET-V(1A-6.3A) |
| RATED VOLTAGE | : | 250 V |
| BREAKING CAPACITY | : | 1500 A, AC CURRENT |
| CAP | : | BRASS, NICKEL PLATED |
| BODY | : | CERAMIC BODY |

MARKINGS ON THE FUSE CAP SHOULD BE AS FOLLOWS:-

TYPE OF FUSE (F), FUSE RATING, RATED VOLTAGE (250V),
BREAKING CAPACITY (L) & COMPANY'S IDENTIFICATION

NOTE:

UL APPROVAL-1A TO 6.3A

ADDITIONAL TEST(FOR<10A) AT 1.5In SHALL NOT FUSE WITHIN 1HOUR

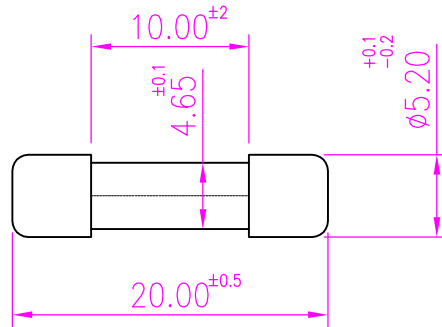
| NOMINAL CURRENT (In) | 2.1 In MAX. | 2.75 In | | 4 In | | 10 In | |
|----------------------|-------------|----------|--------|----------|-------|---------|----------|
| | | MIN. | MAX. | MIN. | MAX. | MIN. | MAX. |
| 0.1A TO 0.8A | 30 MINUTES | 250 mSec | 80 Sec | 50 mSec | 5 Sec | 5 mSec | 150 mSec |
| >0.8A TO 3.15A | 30 MINUTES | 750 mSec | 80 Sec | 95 mSec | 5 Sec | 10 mSec | 150 mSec |
| >3.15A - 10A | 30 MINUTES | 750 mSec | 80 Sec | 150 mSec | 5 Sec | 10 mSec | 150 mSec |
| >10A | 30 MINUTES | 1 Sec | 80 Sec | 150 mSec | 5 Sec | 20 mSec | 100 mSec |



PROTECTRON ELECTROMECH (P) LTD

DESCRIPTION : 5 x 20, CERAMIC CARTRIDGE TIME DELAY FUSE

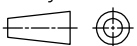
PART NO: PSTC In



| NOMINAL CURRENT RANGE (In) | VOLTAGE DROP DC (mV Max.) | NOMINAL CURRENT RANGE (In) | VOLTAGE DROP DC (mV Max.) |
|----------------------------|---------------------------|----------------------------|---------------------------|
| 32 mA | 5000 | 800 mA | 250 |
| 40 mA | 4000 | 900 mA | 250 |
| 50 mA | 3500 | 1.0 A | 250 |
| 63 mA | 3000 | 1.25 A | 250 |
| 80 mA | 3000 | 1.4 A | 200 |
| 100 mA | 2500 | 1.5 A | 200 |
| 125 mA | 2000 | 1.6 A | 200 |
| 150 mA | 1900 | 2.0 A | 190 |
| 160 mA | 1900 | 2.5 A | 180 |
| 200 mA | 1500 | 3.0 A | 140 |
| 250 mA | 1300 | 3.15 A | 140 |
| 300 mA | 1100 | 3.5 A | 140 |
| 315 mA | 1100 | ≥4.0 A | 100 |
| 350 mA | 1100 | | |
| 400 mA | 1000 | | |
| 450 mA | 1000 | | |
| 500 mA | 900 | | |
| 600 mA | 300 | | |
| 630 mA | 300 | | |
| 700 mA | 300 | | |
| 750 mA | 250 | | |

| | | | | | |
|------|---|---------|------------|----------|----------|
| A4 | BLOWING CHARACTERISTICS REVISED AS PER IEC UPTO 10A | VENILA | 27.04.2015 | | |
| A3 | RATING OTHER THAN 1A-7A ADDED | SAVITHA | 26.07.2005 | | |
| A2 | MARKING INFIRMATION IS ADDED AND DRAWING IS REDRAWN | SANDHYA | 03.03.2001 | | |
| A1 | 7A FUSE SPEC INCLUDED | SANDHYA | 19.09.1999 | | |
| A | ORIGINAL | SANDHYA | 17.07.1999 | | |
| REV. | DESCRIPTION | DRN. BY | DATE | CK'ED BY | APP'D BY |

Projection:



Scale: NTS

Sht. Size: A4

Gen. Tol.: $\pm 0.1\text{mm}$
 $\pm 0.2^\circ$

ALL DIMENSIONS ARE IN MM.
IF UNLESS OTHERWISE SPECIFIED.

<http://www.protectron.in>

protectron@protectron.in