

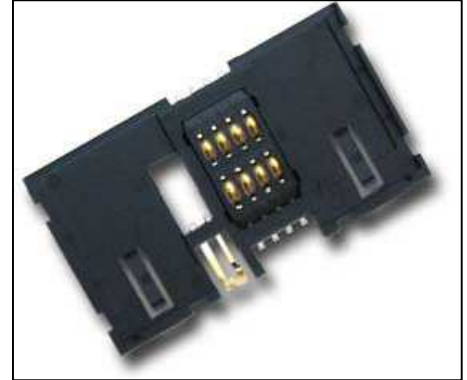


PROTECTRON ELECTROMECH (P) LTD

DESCRIPTION : SMART CARD CONNECTOR

PART NO:PSMTC7-08-NO-6

RoHS



PHYSICAL DATA

MATERIAL

BODY : PPS/LCP
COLOR : BLACK COLOR
CONTACT : SELECTIVE GOLD PLATED

MECHANICAL DATA

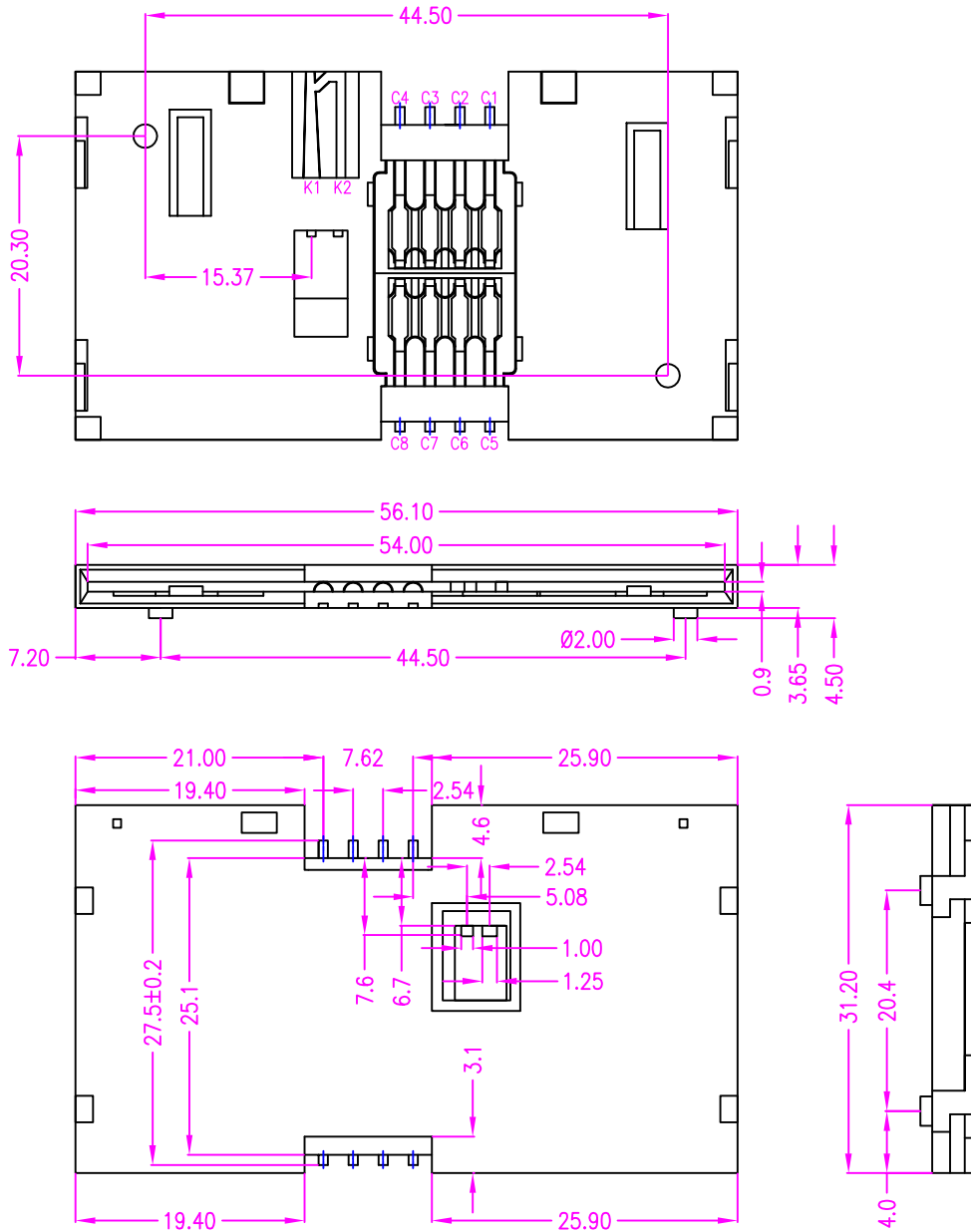
MECHANICAL LIFE : >90K CYCLES



PROTECTRON ELECTROMECH (P) LTD

DESCRIPTION : SMART CARD CONNECTOR

PART NO:PSMTC7-08-NO-6



| | | | | | | |
|-----------------|-------------|------------|---------------|--|---|----------|
| A | ORIGINAL | RAJESH | 17.02.2012 | | | |
| REV. | DESCRIPTION | | DRN BY | DATE | CK'ED BY | APP'D BY |
| Projection: | | Scale: NTS | Sht. Size: A4 | Gen. Tol.: $\pm 0.3\text{mm}$ $\pm 2^\circ$ | ALL DIMENSIONS ARE IN MM. IF UNLESS OTHERWISE SPECIFIED. | |

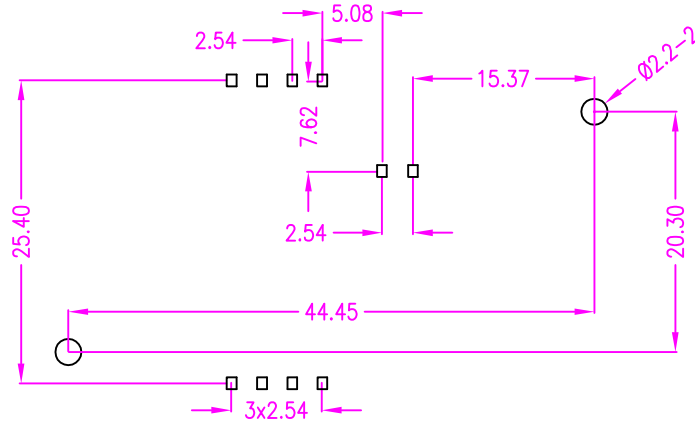
<http://www.protectron.in>
protectron@protectron.in



PROTECTRON ELECTROMECH (P) LTD

DESCRIPTION : SMART CARD CONNECTOR

PART NO:PSMTC7-08-NO-6



MOUNT LAYOUT

Requirement:

- 1. No strains and scratches or deformation
- 2. Housing has no whisker, contact spring has no oxidation and rust

Notes:

- 1. Blade switch: normally open
- 2. contact spring plating: Au or Ni, plating thickness can be customized

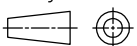
ORDERING INFORMATION

PSMTC7-08-NO-6

MOQ- ----

SPQ- ----

Projection:



Scale: NTS

Sht. Size: A4

Gen. Tol.: ±0.10mm

ALL DIMENSIONS ARE IN MM.
IF UNLESS OTHERWISE SPECIFIED.