

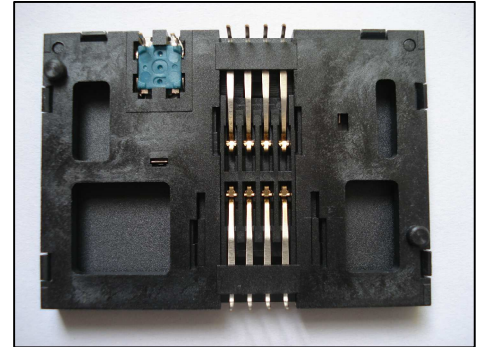


PROTECTRON ELECTROMECH (P) LTD

DESCRIPTION : SMART CARD CONNECTOR, 8PIN ,5.8mm ht,
SELECTIVE GOLD PLATED, NO TYPE

PART NO:PSMTC27-08-NO-6

RoHS



PHYSICAL DATA

INSULATION MATERIAL : THERMOPLASTIC
FLAMMABILITY : UL 94V-0

ELECTRICAL DATA

CONTACT RESISTANCE : 50m OHMS TYP, 100m OHMS MAX
INSULATION RESISTANCE : 1000M OHMS MIN/ 500V DC
RATED CURRENT : 1A MAX
DIELECTRIC WITHSTANDING : 500V AC rms FOR 1min

ENVIRONMENTAL DATA

TEMPERATURE RANGE : -40° TO +85° C

ORDERING INFORMATION

PSMTC27-08-NO-6

MOQ- ----

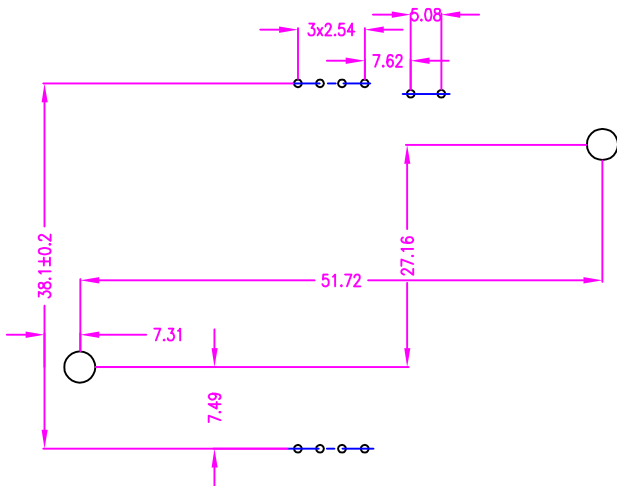
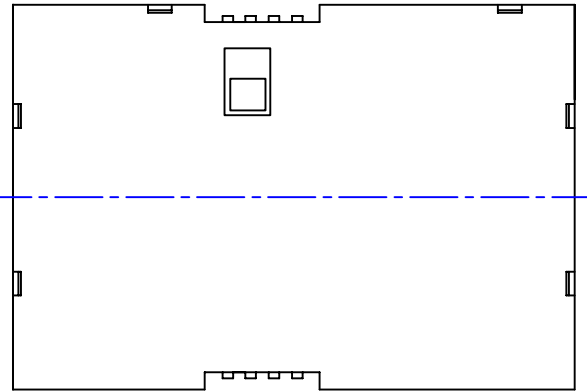
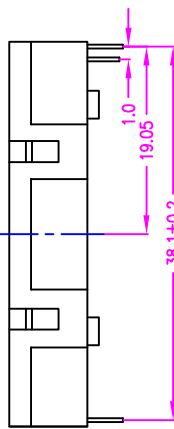
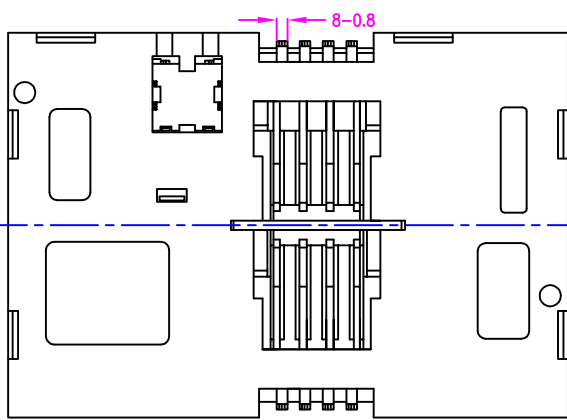
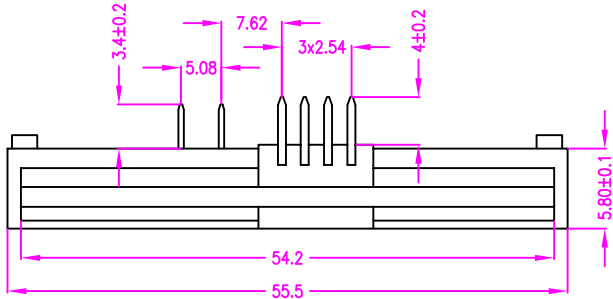
SPQ- ----



PROTECTRON ELECTROMECH (P) LTD

DESCRIPTION : SMART CARD CONNECTOR, 8PIN ,5.8mm ht,
SELECTIVE GOLD PLATED, NO TYPE

PART NO:PSMTC27-08-NO-6



REQUIREMENTS:

- 1.NO STAINS OR SCRATCHES OR DEFORMATION
- 2.HOUSING HAS NO WHISKER, CONTACT SPRING HAS NO OXIDATION OR RUST

NOTE:

BLADE SWITCH: NORMALLY OPEN
CONTACT SPRING PLATING: Au OVER Ni

A	ORIGINAL	DESCRIPTION			AISHWARYA	12.03.2015		
REV.					DRN BY	DATE	CK'ED BY	APP'D BY
Projection: 		Scale: NTS	Sht. Size: A4	Gen. Tol.:±0.10mm	ALL DIMENSIONS ARE IN MM. IF UNLESS OTHERWISE SPECIFIED.			