

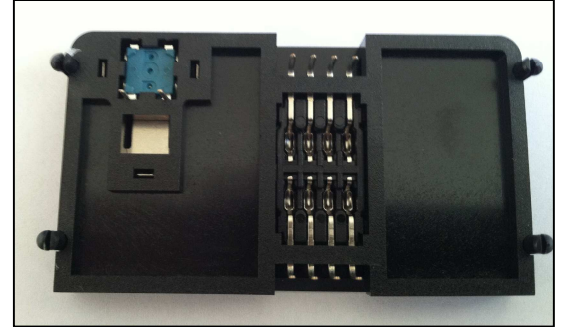


PROTECTRON ELECTROMECH (P) LTD

DESCRIPTION : SMART CARD CONNECTOR, 8PIN ,7mm ht,
SELECTIVE GOLD PLATED, NO TYPE

PART NO:PSMTC24-08-NO-6

RoHS



PHYSICAL DATA

MATERIAL

CONTACT : COPPER ALLOY
HOUSING : PC

ELECTRICAL DATA

CURRENT RATING : 1A
DIELECTRIC WITHSTANDING : AC 500V(rms)/60s
CONTACT RESISTANCE : 20m OHMS TYP, 100m OHMS MAX
INSULATION RESISTANCE : 1000M OHMS MIN

ENVIRONMENTAL DATA

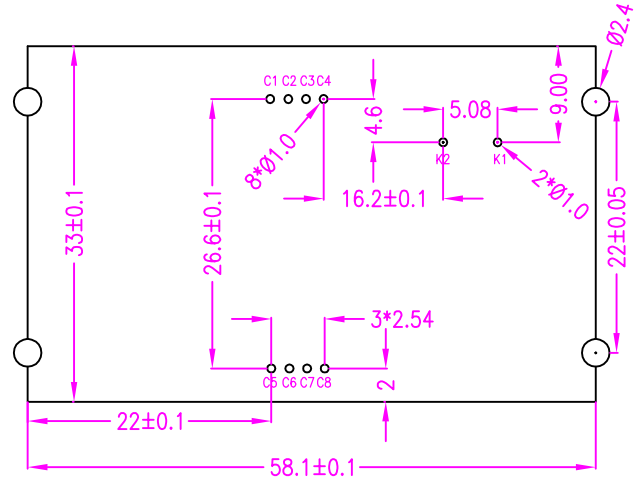
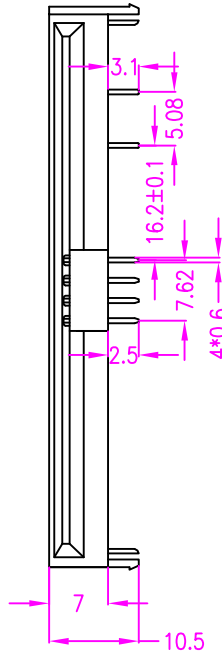
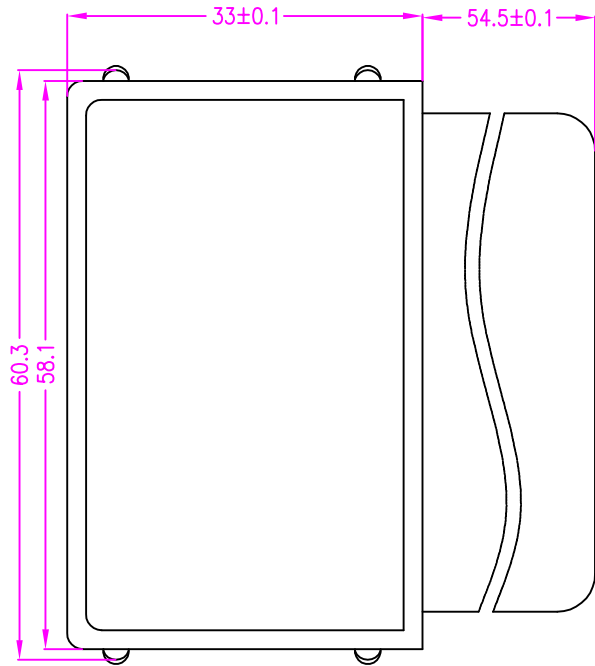
TEMPERATURE RANGE : -45° TO +85° C
MANUAL SOLDERING : 330° C, 3SEC MAX



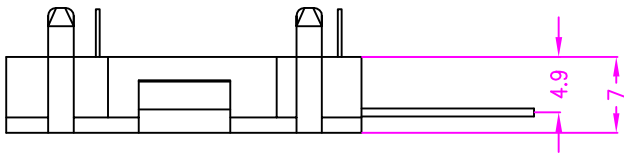
PROTECTRON ELECTROMECH (P) LTD

DESCRIPTION : SMART CARD CONNECTOR, 8PIN ,7mm ht,
SELECTIVE GOLD PLATED, NO TYPE

PART NO:PSMTC24-08-NO-6



RECOMMENDED PCB LAYOUT(FEMALE)
TOLERANCE=±0.1mm



ORDERING INFORMATION

PSMTC24-08-NO-6

MOQ- ----
SPQ- ----

A	ORIGINAL		AISHWARYA	12.03.2015		
REV.	DESCRIPTION			DRN BY	DATE	CK'ED BY APP'D BY
Projection: 		Scale: NTS	Sht. Size: A4	Gen. Tol.: ±0.10mm	ALL DIMENSIONS ARE IN MM. IF UNLESS OTHERWISE SPECIFIED.	