

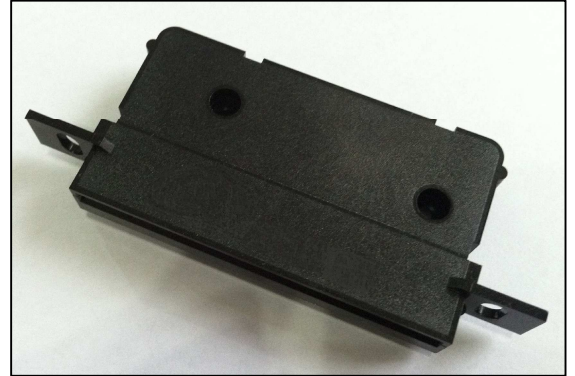


PROTECTRON ELECTROMECH (P) LTD

DESCRIPTION : SMART CARD CONNECTOR, 8PIN ,7.8mm ht,
SELECTIVE GOLD PLATED, NO TYPE

PART NO:PSMTC19-08-NO-6

RoHS



PHYSICAL DATA

MATERIAL

CONTACT : COPPER ALLOY
HOUSING : PC

ELECTRICAL DATA

CURRENT RATING : 1A
DIELECTRIC WITHSTANDING : AC 500V(rms)/60s
CONTACT RESISTANCE : 50m OHMS TYP, 100m OHMS MAX
INSULATION RESISTANCE : 1000M OHMS MIN

ENVIRONMENTAL DATA

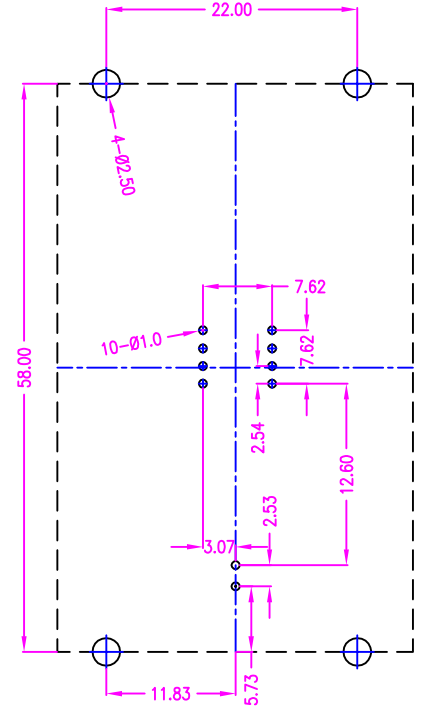
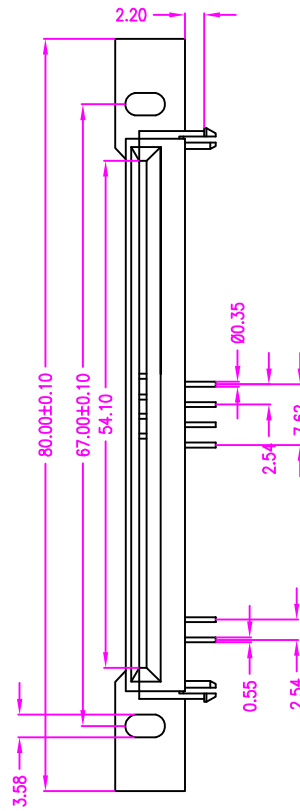
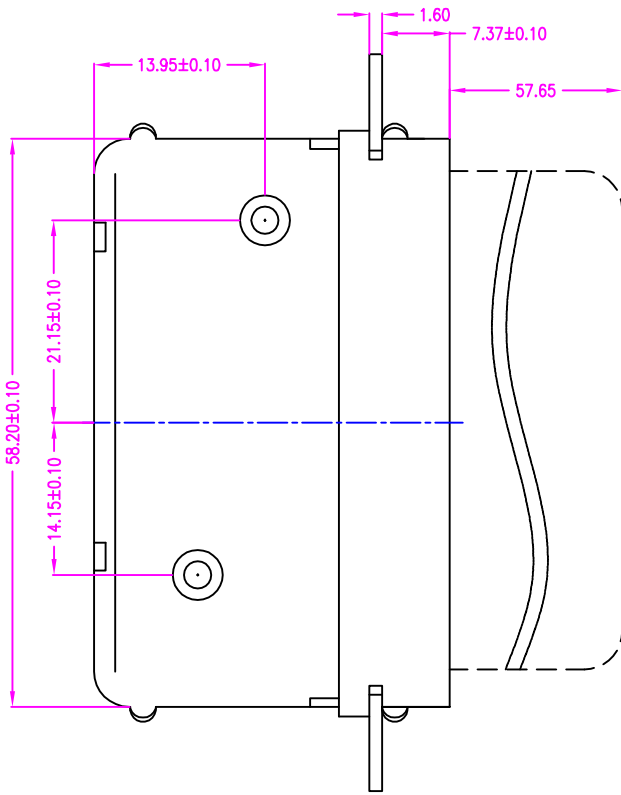
TEMPERATURE RANGE : -45° TO +85° C
MANUAL SOLDERING : 330° C, 3SEC MAX



PROTECTRON ELECTROMECH (P) LTD

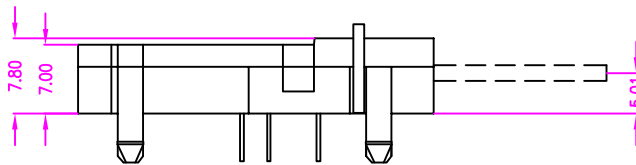
DESCRIPTION : SMART CARD CONNECTOR, 8PIN ,7.8mm ht,
SELECTIVE GOLD PLATED, NO TYPE

PART NO:PSMTC19-08-NO-6



RECOMMENDED PCB LAYOUT(FEMALE)

TOLERANCE=±0.05mm



ORDERING INFORMATION

PSMTC19-08-NO-6

MOQ- ----

SPQ- ----

A	ORIGINAL	AISHWARYA	11.03.2015		
REV.	DESCRIPTION		DRN BY	DATE	CK'ED BY APP'D BY

Projection:



Scale: NTS

Sht. Size: A4

Gen. Tol.:±0.10mm

ALL DIMENSIONS ARE IN MM.
IF UNLESS OTHERWISE SPECIFIED.