



PROTECTRON ELECTROMECH (P) LTD

DESCRIPTION : DC POWER JACK, Ø1.30mm SURFACE MOUNTED

PART NO:PDCJ09-01

RoHS



PHYSICAL

5	PIN	BRASS	Ni-PLATING	1
4	CURVE PIECE	BRASS	Ag-PLATING	1
3	CURVE PIECE	BRASS	Ag-PLATING	1
2	SPRING	BRONZE	Ag-PLATING	1
1	HOUSING	NYLON	-	1
NO.	DESCRIPTION	MATERIAL	PLATING	QTY

PACKAGING TYPE

: BULK PACKING

MATES WITH

PLUG GAUGE REQUIRED:
Ø1.35mm

ORDERING INFORMATION

PDCJ09-01

MOQ- 1000 MIN

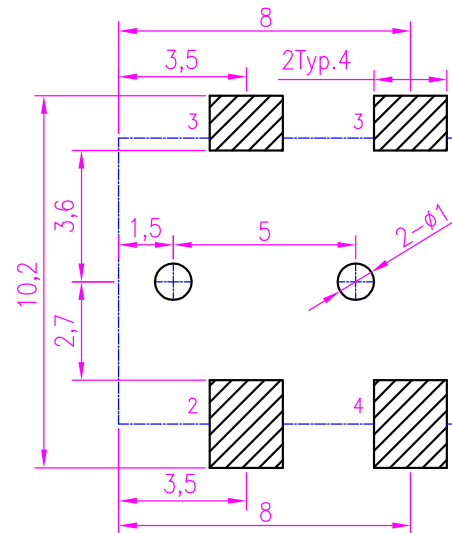
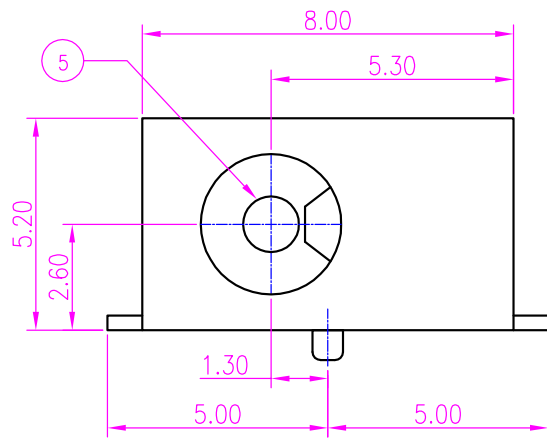
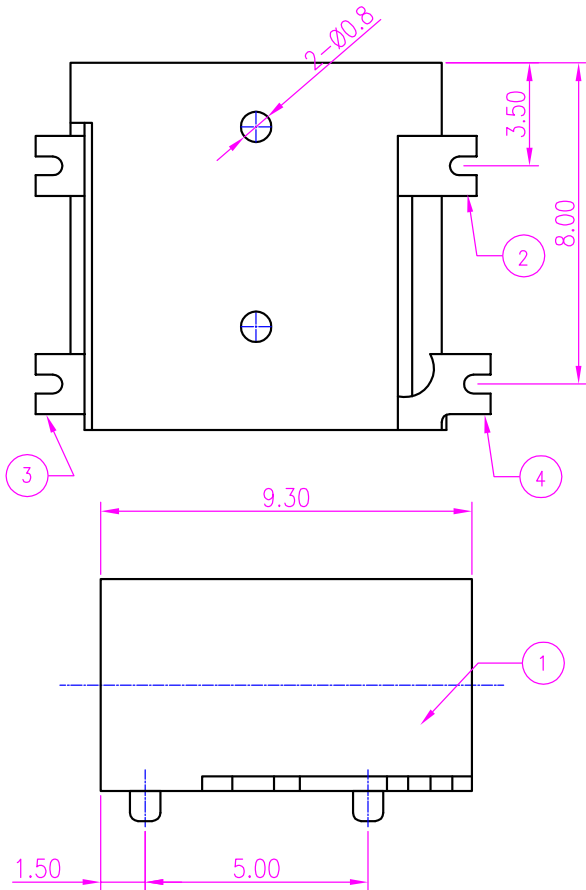
SPQ- 1000 PER PACK



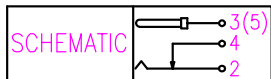
PROTECTRON ELECTROMECH (P) LTD

DESCRIPTION : DC POWER JACK, Ø1.30mm SURFACE MOUNTED

PART NO:PDCJ09-01



PCB LAYOUT



A	ORIGINAL	CHAITRA	21.12.2007		
REV.	DESCRIPTION		BY	DATE	CK'ED BY APP'D BY

Projection: 	Scale: NTS	Sht. Size: A4	Gen. Tol.: ±0.35mm	ALL DIMENSIONS ARE IN MM. IF UNLESS OTHERWISE SPECIFIED.
-----------------	------------	---------------	--------------------	---