



PROTECTRON ELECTROMECH (P) LTD

DESCRIPTION : DC POWER JACK, Ø2.0mm WITH 3 TERMINALS,
SQUARE BODY, STRAIGHT

PART NO:PDCJ08-01

RoHS



PHYSICAL

6	SPRING TERMINAL	PBS STRIP	SILVER PLATED OVER NICKEL PLATED	1
5	TERMINAL	BRASS STRIP	SILVER PLATED OVER NICKEL PLATED	1
4	TERMINAL	BRASS STRIP	SILVER PLATED OVER NICKEL PLATED	1
3	TERMINAL BASE	PHENOLIC RESIN	NATURAL	1
2	CASE	PC	BLACK	1
1	PLUG PIN	BRASS	NICKEL PLATED	1
NO.	NAME	MATERIAL	FINISH	QTY

PACKAGING TYPE

: BULK PACKING

ORDERING INFORMATION

PDCJ08-01

MATES WITH

PLUG GAUGE REQUIRED:
Ø2.1mm

MOQ- 1000 MIN

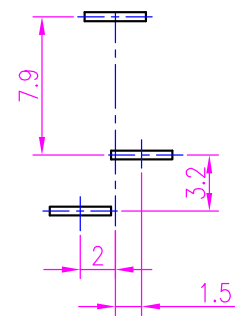
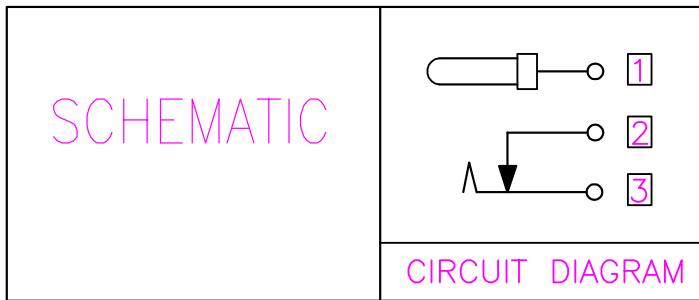
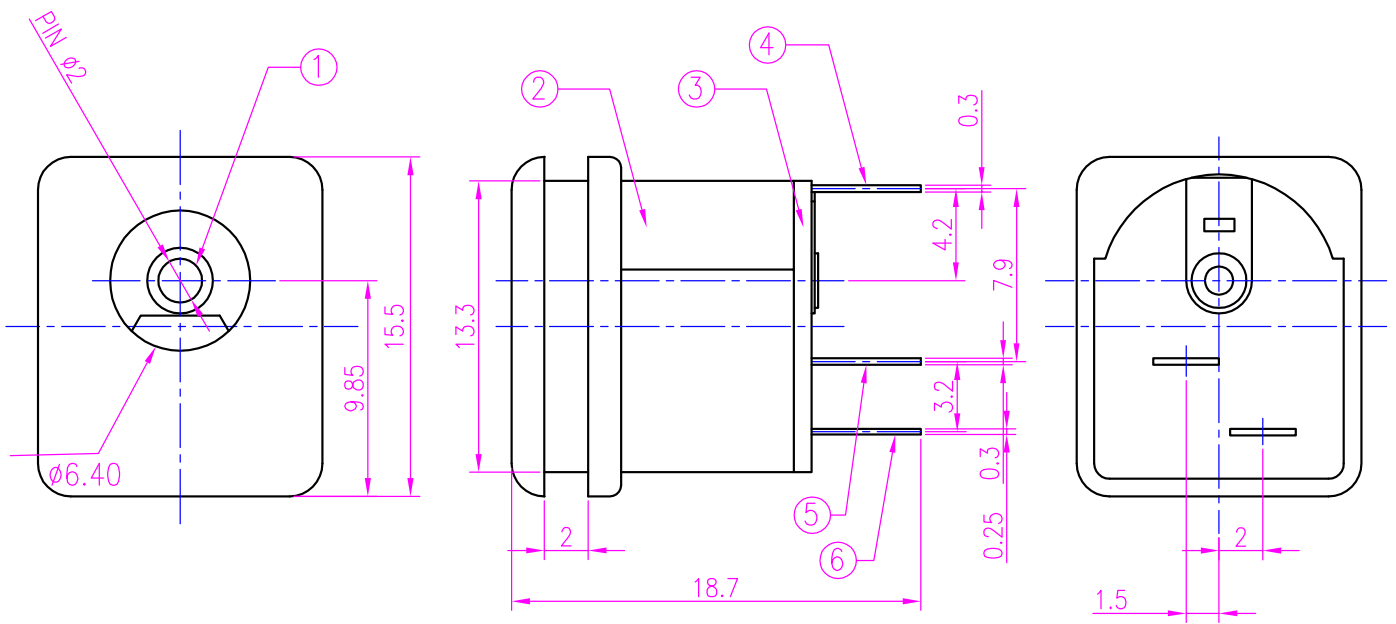
SPQ- 1000 PER PACK



PROTECTRON ELECTROMECH (P) LTD

DESCRIPTION : DC POWER JACK, Ø2.0mm WITH 3 TERMINALS, SQUARE BODY, STRAIGHT

PART NO:PDCJ08-01



A	ORIGINAL		SANDHYA	29.01.2007		
REV.	DESCRIPTION			BY	DATE	CK'ED BY APP'D BY
Projection: 		Scale: NTS	Sht. Size: A4	Gen. Tol.: ±0.35mm	ALL DIMENSIONS ARE IN MM. IF UNLESS OTHERWISE SPECIFIED.	