



PROTECTRON ELECTROMECH (P) LTD

DESCRIPTION :DC POWER JACK, Ø1.60mm WITH 2 TERMINALS

PART NO:PDCJ07-01

RoHS



PHYSICAL

4	HOUSING	PA46		1
3	TERMINAL No.3	PHOSPHOR BRONZE	SILVER PLATED	1
2	TERMINAL No.2	BRASS	SILVER PLATED	1
1	CENTRE PIN	BRASS	SILVER PLATED	1
ITEM	NAME	MATERIAL	FINISH	SUM

PACKAGING TYPE : BULK PACKING

ELECTRICAL

INSULATION RESISTANCE : 100M OHMS Min. @ 500V DC for 1 minute.
DIELECTRIC STRENGTH : 500V AC FOR 1 MIN
CONTACT RESISTANCE : 100m OHMS MAX
CURRENT RATING : 0.5A

MECHANICAL DATA

INSERTION FORCE : 0.30 – 2.0kgs
EXTRACTION FORCE : 0.30 – 1.5kgs
MATING CYCLES : 5000 CYCLES at a speed of 10–25 cycles/minute.

ENVIRONMENTAL DATA

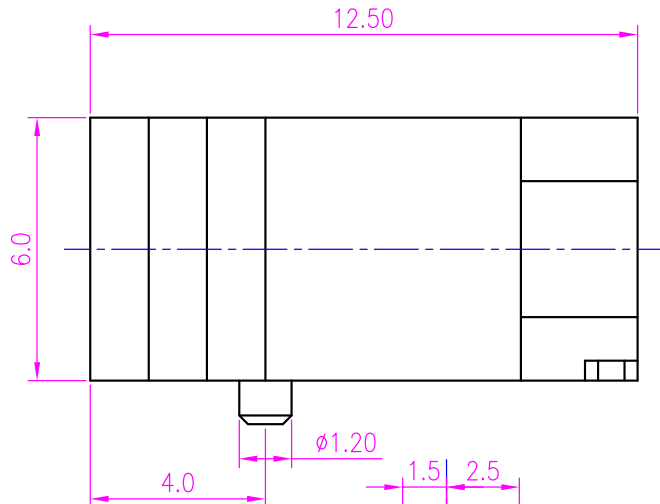
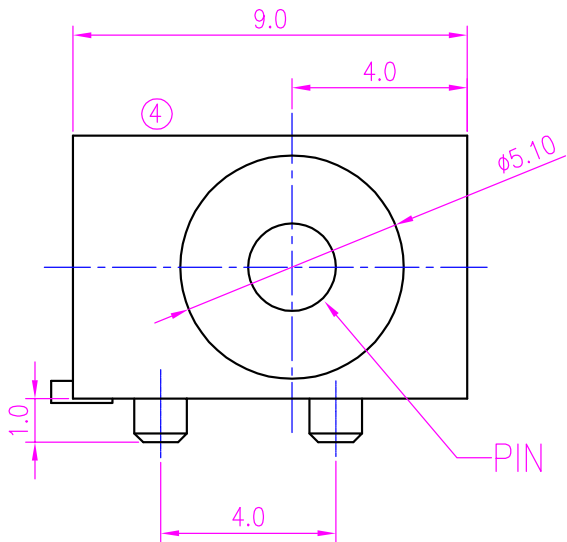
TEMPERATURE RANGE : -16° TO +60° C
PROCESS RATING : 260±5° FOR 3±0.5 Seconds



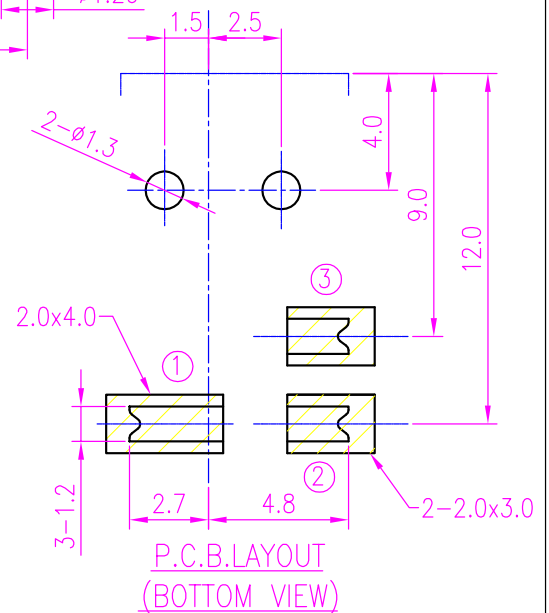
PROTECTRON ELECTROMECH (P) LTD

DESCRIPTION : DC POWER JACK, Ø1.60mm WITH 2 TERMINALS

PART NO: PDCJ07-01



PIN	Ø1.6mm
SCHEMATIC	



MATES WITH
PLUG GAUGE REQUIRED:
Ø1.7mm

ORDERING INFORMATION

PDCJ07-01

MOQ- 1000 MIN

SPQ- 1000 PER PACK

A	ORIGINAL	GURURAJA	06.09.2006		
REV.	DESCRIPTION	BY	DATE	CK'ED BY	APP'D BY

Projection:



Scale: NTS

Sht. Size: A4

Gen. Tol.: ±0.35mm

ALL DIMENSIONS ARE IN MM.
IF UNLESS OTHERWISE SPECIFIED.

<http://www.protectron.in>

protectron@protectron.in