



PROTECTRON ELECTROMECH (P) LTD

DESCRIPTION : Ø1.3mm DC POWER JACK WITH KINKED LEG

PART NO: PDCJ05-01

RoHS



PHYSICAL

Sl. No.	PART NAME	MATERIAL	QTY	FINISHING
1	CASE	POM/NYLON+F.G+9.4V0/PBT+F.G+9.4V0	1	BLACK
2	COVER	POM/NYLON+F.G+9.4V0/PBT+F.G+9.4V0	1	BLACK
3	SPRING TERMINAL	SUS	1	Ag PLATED OVER Ni PLATED
4	TERMINAL	BRASS STRIP	1	Ag PLATED OVER Ni PLATED
5	CONTACT	BRASS STRIP	1	Ag PLATED OVER Ni PLATED
6	PLUG PIN	BRASS	1	Ni PLATED

PACKAGING TYPE

: BULK PACKING

ORDERING INFORMATION

PDCJ05-01

MATES WITH

PLUG GAUGE REQUIRED:
Ø1.35mm

MOQ- 1000 MIN

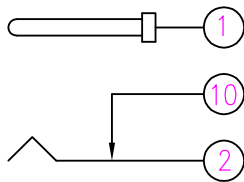
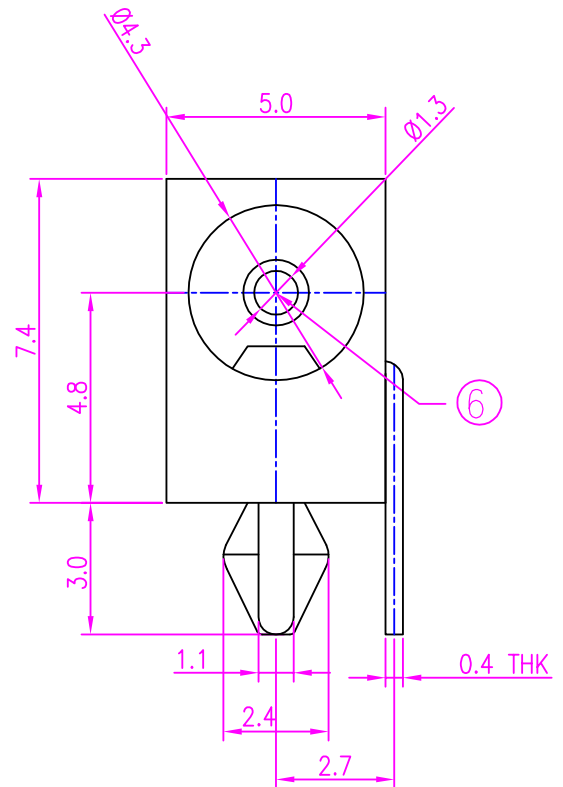
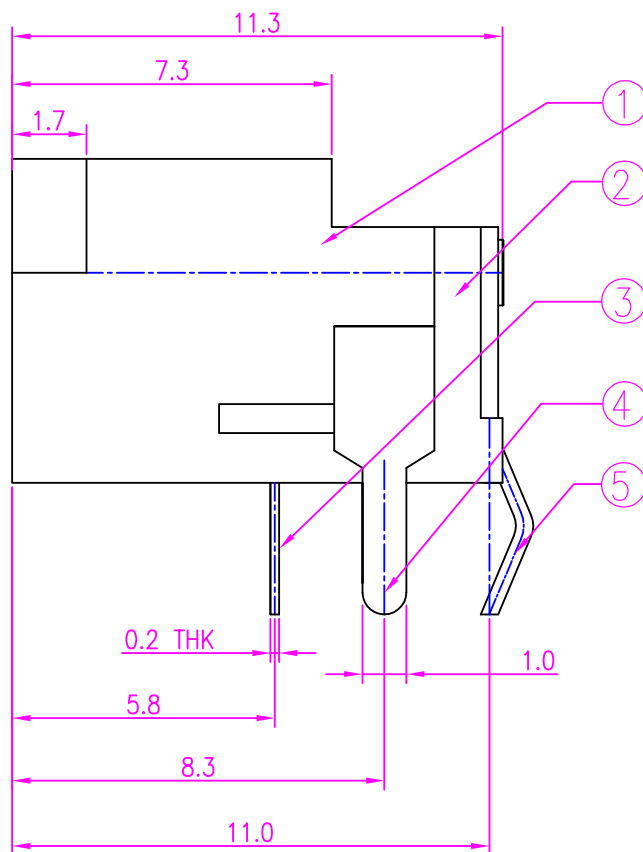
SPQ- 1000 PER PACK



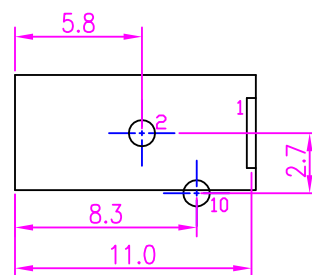
PROTECTRON ELECTROMECH (P) LTD

DESCRIPTION : Ø1.3mm DC POWER JACK WITH KINKED LEG

PART NO: PDCJ05-01



SCHEMATIC



PCB LAYOUT

A	ORIGINAL		JEEVAN	11.05.2011		
REV.	DESCRIPTION			BY	DATE	CK'ED BY APP'D BY
Projection: 		Scale: NTS	Sht. Size: A4	Gen. Tol.: ±0.4mm ±2°	ALL DIMENSIONS ARE IN MM. IF UNLESS OTHERWISE SPECIFIED.	