



PROTECTRON ELECTROMECH (P) LTD

DESCRIPTION : Ø2.50mm D.C POWER JACK WITH 3TERMINALS,
VERTICAL MOUNT

PART NO:PDCJ03-02

RoHS



PHYSICAL

6	SPRING TERMINAL	PBS STRIP	1	Ag PLATED OVER Ni PLATED
5	TERMINAL	BRASS STRIP	1	Ag PLATED OVER Ni PLATED
4	TERMINAL	BRASS STRIP	1	Ag PLATED OVER Ni PLATED
3	TERMINAL BASE	PHENOLIC RESIN	1	NATURAL
2	CASE	PC/NYLON+F.G+94V0	1	BLACK/WHITE
1	PLUG PIN	3.0mm BRASS PIN	1	Ni PLATED
NO.	PART NAME	MATERIAL	QTY.	FINISHING

PACKAGING TYPE

: BULK PACKING

MATES WITH

PLUG GAUGE REQUIRED:
Ø2.6mm

ORDERING INFORMATION

PDCJ03-02

MOQ- 1000 MIN

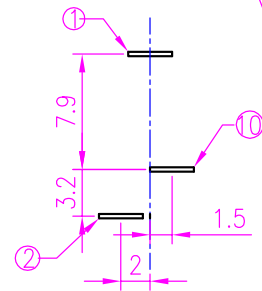
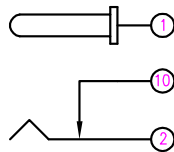
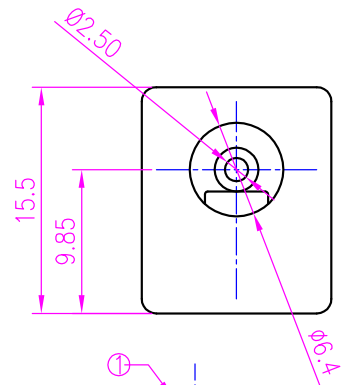
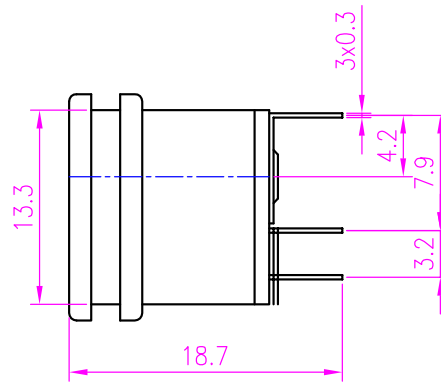
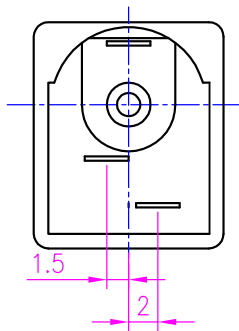
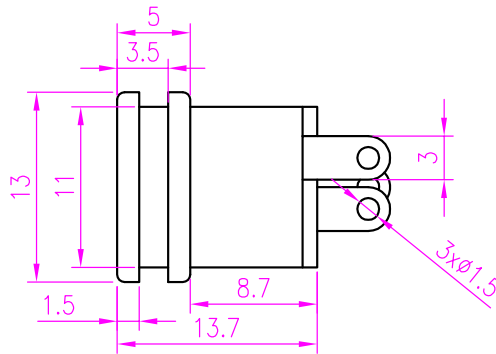
SPQ- 1000 PER PACK



PROTECTRON ELECTROMECH (P) LTD

DESCRIPTION : Ø2.50mm D.C POWER JACK WITH 3TERMINALS,
VERTICAL MOUNT

PART NO:PDCJ03-02



PCB LAYOUT

A	ORIGINAL	DESCRIPTION		CHETAN	20.06.2011		
REV.				DRN BY	DATE	CKED BY	APP'D BY
Projection: 		Scale: NTS	Sht. Size: A4	Gen. Tol.: ±0.4mm ±1°	ALL DIMENSIONS ARE IN MM. IF UNLESS OTHERWISE SPECIFIED.		