



PROTECTRON ELECTROMECH (P) LTD

DESCRIPTION : DC POWER JACK ϕ 2.0mm, WITH FLANGE WITH 3 TERMINALS

PART NO:PDCJ02-01

RoHS



PHYSICAL

6	HOUSING	PBT (UL 94V-0)	1	BLACK
5	PLUG PIN A	ϕ 2.0mm BRASS PIN	1	Ni PLATED
4	COVER	PA (UL 94V-0)	1	BLACK
3	TERMINAL 3	0.40mm BRASS STRIP	1	TIN PLATED
2	TERMINAL 2	0.20mm PB STRIP	1	TIN PLATED
1	TERMINAL 1	0.40mm BRASS STRIP	1	TIN PLATED
NO.	PART NAME	MATERIAL	QTY.	FINISHING

PACKAGING TYPE : BULK PACKING

ELECTRICAL

INSULATION RESISTANCE : 100M OHMS Min. @ 500V DC for 1 minute.

DIELECTRIC STRENGTH : 500V AC FOR 1 MIN

CONTACT RESISTANCE : 100m OHMS MAX

MECHANICAL DATA

INSERTION FORCE : 1.50kgf TYP.

EXTRACTION FORCE : 0.30 - 2.0kgf

MATING CYCLES : 1000 CYCLES MIN

ENVIRONMENTAL DATA

TEMPERATURE RANGE : -16° TO +60° C

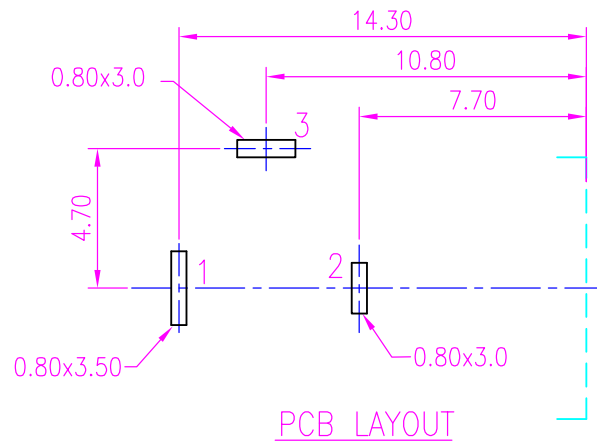
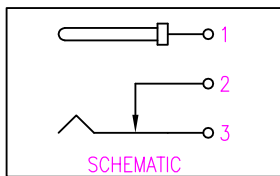
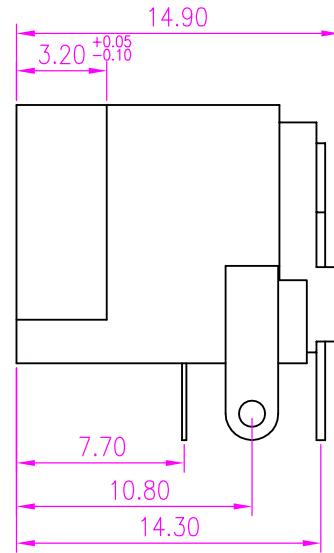
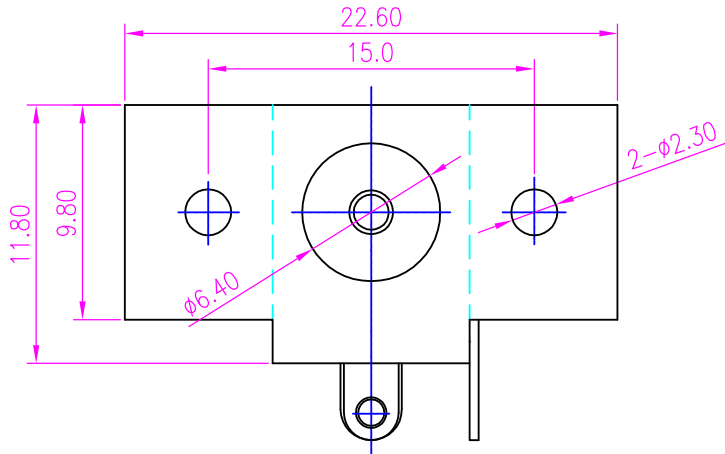
PROCESS RATING : 230 \pm 5° FOR 3 \pm 0.5 Seconds



PROTECTRON ELECTROMECH (P) LTD

DESCRIPTION : DC POWER JACK $\phi 2.0\text{mm}$, WITH FLANGE WITH 3 TERMINALS

PART NO: PDCJ02-01



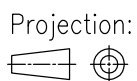
MATES WITH
PLUG GAUGE REQUIRED:
 $\phi 2.0\text{mm}$

ORDERING INFORMATION

PDCJ02-01

MOQ- 1000 MIN
SPQ- 1000 PER PACK

A1	FLANGE THICKNESS 3.20mm DIMENSION ADDED	SACHIN	12.01.2005		
A	ORIGINAL	SACHIN	14.12.2004		
REV.	DESCRIPTION	BY	DATE	CK'ED BY	APP'D BY



Scale: NTS

Sht. Size: A4

Gen. Tol.: $\pm 0.35\text{mm}$

ALL DIMENSIONS ARE IN MM.
IF UNLESS OTHERWISE SPECIFIED.