



# PROTECTRON ELECTROMECH (P) LTD

DESCRIPTION :DC POWER JACK 2.5mm, WITH LOCKING OPTION

PART NO:PDCJ01-08

RoHS



## PHYSICAL

6	INSERT CASE	PBT	1	BLACK
5	CONTACT	BRASS STRIP	1	Ag PLATED OVER Ni PLATED
4	TERMINAL	BRASS STRIP	1	Ag PLATED OVER Ni PLATED
3	SPRING TERMINAL	PBS STRIP/STAINLESS STEEL	1	Ag PLATED OVER Ni PLATED
2	PLUG PIN	BRASS	1	Ni PLATED
1	CASE	PBT	1	BLACK
NO.	PART NAME	MATERIAL	QTY.	FINISHING

PACKAGING TYPE

: BULK PACKING

## ELECTRICAL

INSULATION RESISTANCE : 100M OHMS Min. @ 500V DC for 1 minute.

DIELECTRIC STRENGTH : 500V AC FOR 1 MIN

CONTACT RESISTANCE : 100m OHMS MAX

CURRENT RATING : 5A

VOLTAGE RATING : 24V DC

## MECHANICAL DATA

INSERTION FORCE : 1.50kgf TYP.

EXTRACTION FORCE : 0.30 – 2.0kgf

MATING CYCLES : 1000 CYCLES MIN

## ENVIRONMENTAL DATA

TEMPERATURE RANGE : -16° TO +60° C

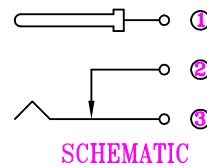
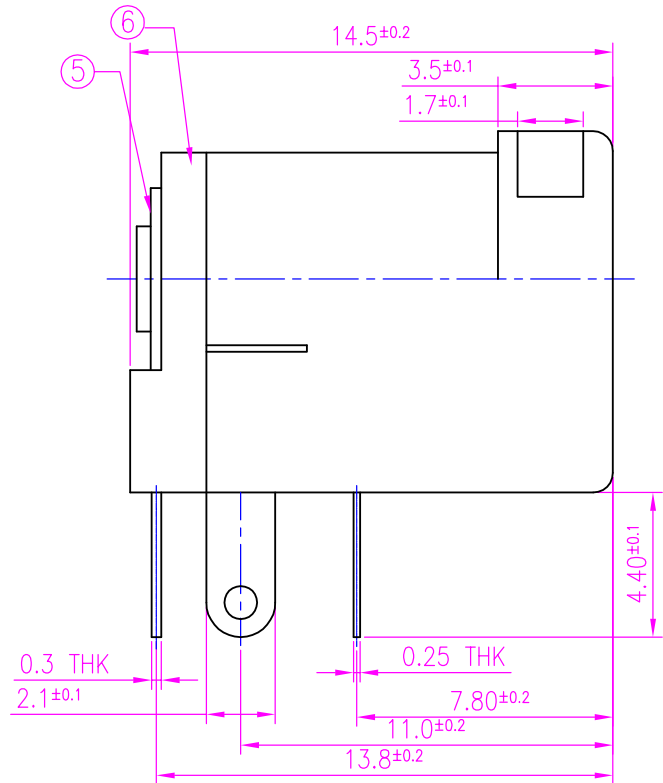
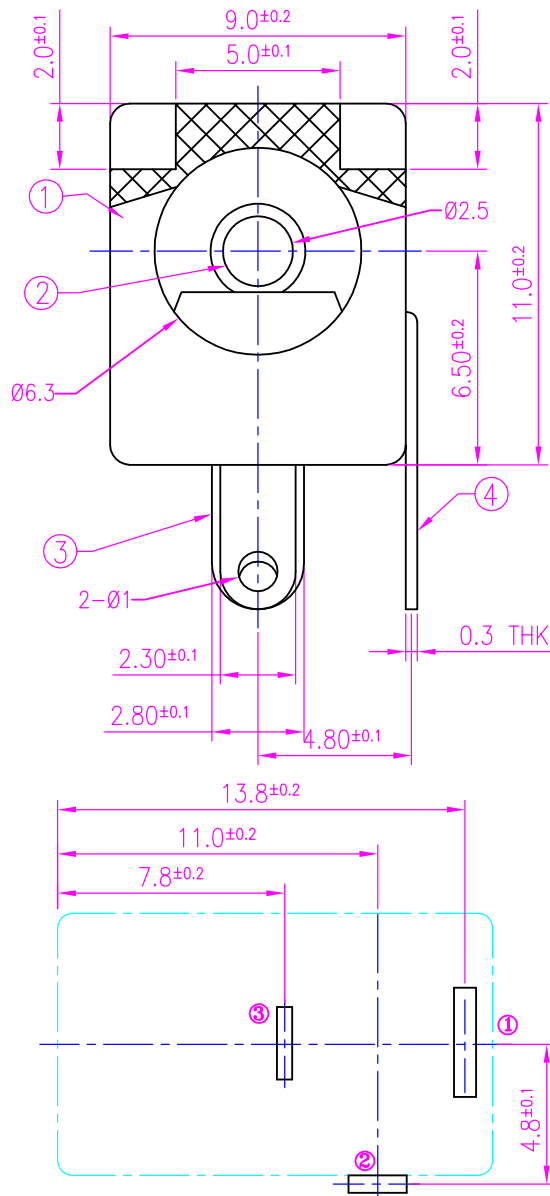
PROCESS RATING : 230±5° FOR 3±0.5 Seconds



# PROTECTRON ELECTROMECH (P) LTD

DESCRIPTION : DC POWER JACK 2.5mm, WITH LOCKING OPTION

PART NO: PDCJ01-08



### MATES WITH

PLUG GAUGE REQUIRED:  
Ø2.0mm

### ORDERING INFORMATION

PDCJ01-08

MOQ- 1000 MIN

SPQ- 1000 PER PACK

A	ORIGINAL		ANIL	16.06.2009		
REV.	DESCRIPTION			DRN BY	DATE	CKED BY APP'D BY
Projection: 		Scale: NTS	Sht. Size: A4	Gen. Tol.: ±0.1mm ±0.2°	ALL DIMENSIONS ARE IN MM. IF UNLESS OTHERWISE SPECIFIED.	