



PROTECTRON ELECTROMECH (P) LTD

DESCRIPTION : MINI DC POWER JACK Ø2.5mm, WITH 3
TERMINALS

PART NO: PDCJ01-07

RoHS



PHYSICAL

6	CASE	PBS/PBT+94V0+F.G	1	BLACK
5	PLUG PIN	BRASS	1	Ni PLATED
4	COVER	PBS/PBT+94V0+F.G	1	BLACK
3	CONTACT	BRASS STRIP	1	Ag PLATED over Ni
2	SPRING TERMINAL	PBS/STAINLESS STEEL	1	Ag PLATED over Ni
1	TERMINAL	BRASS STRIP	1	Ag PLATED over Ni
NO.	PART NAME	MATERIAL	QTY.	FINISHING

PACKAGING TYPE

: BULK PACKING

ORDERING INFORMATION

PDCJ01-07

MATES WITH

PLUG GAUGE REQUIRED:
Ø2.6mm

MOQ- 1000 MIN

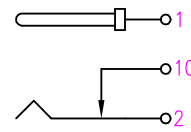
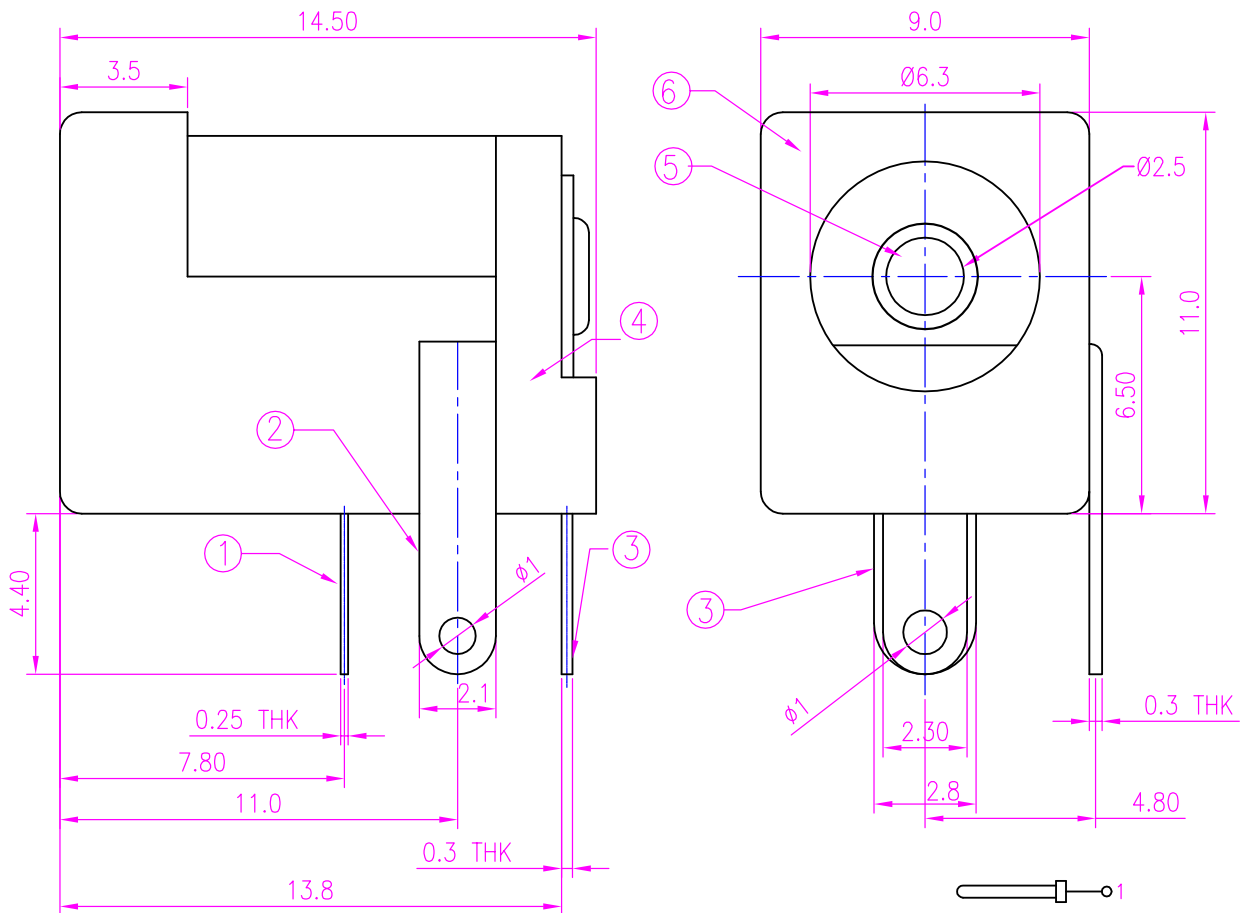
SPQ- 1000 PER PACK



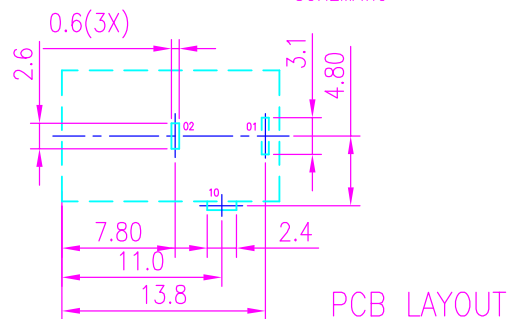
PROTECTRON ELECTROMECH (P) LTD

DESCRIPTION : MINI DC POWER JACK Ø2.5mm, WITH 3 TERMINALS

PART NO: PDCJ01-07



SCHEMATIC



PCB LAYOUT

A1	PAD DIMENSION INCLUDED	RAVISH.S	15.12.2010		
A	ORIGINAL	ANIL	28.03.2009		
REV.	DESCRIPTION	DRN BY	DATE	CKED BY	APP'D BY

Projection:



Scale: NTS

Sht. Size: A4

Gen. Tol.: ±0.5mm
±0.2°

ALL DIMENSIONS ARE IN MM.
IF UNLESS OTHERWISE SPECIFIED.