



PROTECTRON ELECTROMECH (P) LTD

DESCRIPTION : MINI DC POWER JACK ϕ 1.3mm W/O COLLAR
RECTANGULAR TYPE, WITH PEGS

PART NO: PDCJ01-03

RoHS



PHYSICAL

SL.NO	PART NAME	MATERIAL	QTY	FINISHING
1	COVER	NYLON+F.G	1	BLACK
2	SPRING TERMINAL	SUS	1	Ag PLATED OVER Ni PLATED
3	PLUG PIN	BRASS STRIP	1	Ag PLATED OVER Ni PLATED
4	CASE	NYLON+F.G	1	BLACK
5	TERMINAL	BRASS STRIP	1	Ag PLATED OVER Ni PLATED

PACKAGING TYPE : BULK PACKING

ELECTRICAL

INSULATION RESISTANCE : 100M OHMS Min. @ 500V DC for 1 minute.
DIELECTRIC STRENGTH : 500V AC
CONTACT RESISTANCE : 100m OHMS MAX

ENVIRONMENTAL DATA

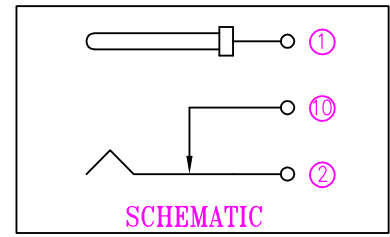
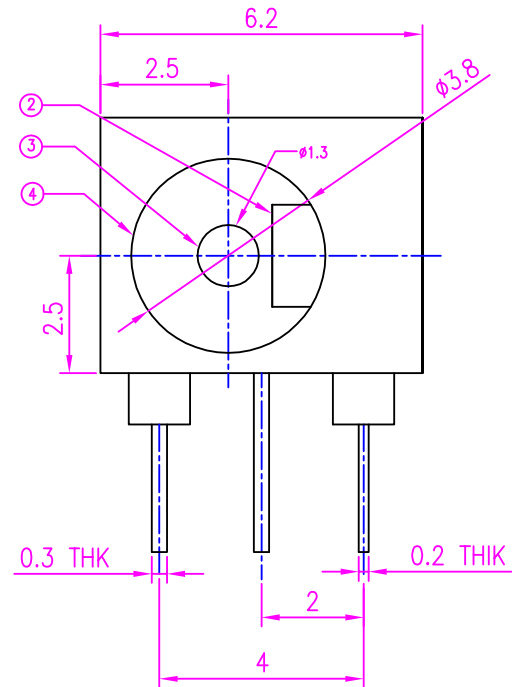
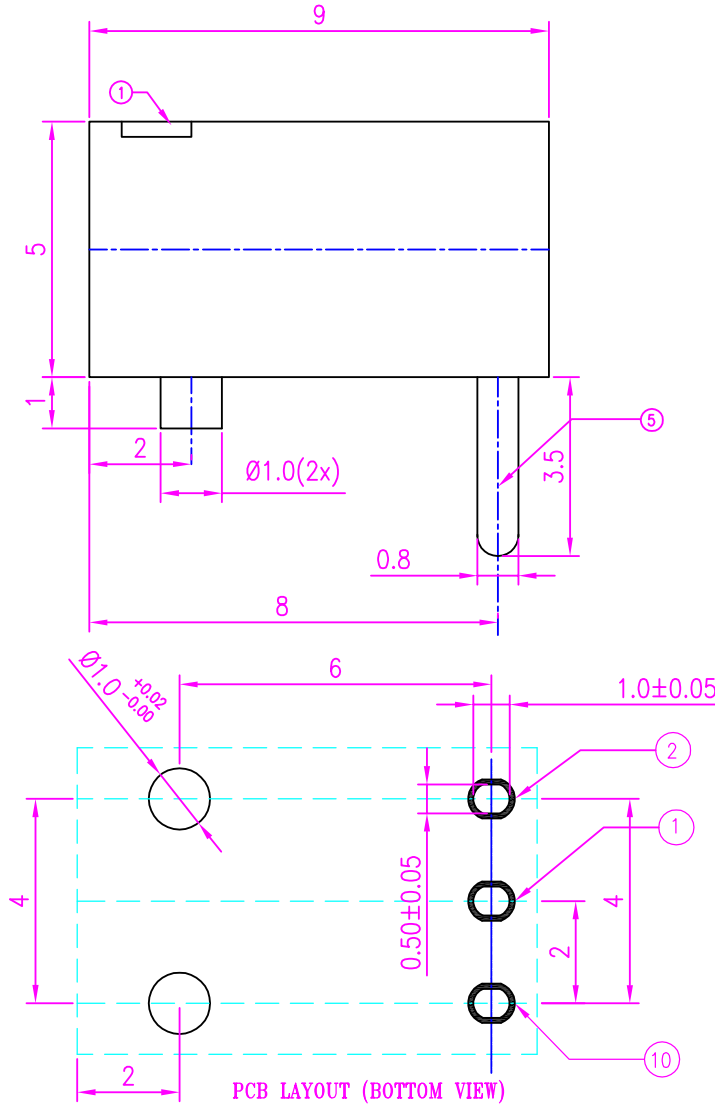
TEMPERATURE RANGE : -16° TO +60° C
PROCESS RATING : 230 \pm 5° FOR 3 Seconds



PROTECTRON ELECTROMECH (P) LTD

DESCRIPTION : MINI DC POWER JACK $\phi 1.3\text{mm}$ W/O COLLAR
RECTANGULAR TYPE, WITH PEGS

PART NO: PDCJ01-03



MATES WITH
PLUG GAUGE REQUIRED:
 $\phi 2.0\text{mm}$

ORDERING INFORMATION

PDCJ01-03

MOQ- 1000 MIN
SPQ- 1000 PER PACK

A	ORIGINAL	ANIL	09.01.2008		
REV.	DESCRIPTION			BY	APP'D BY
Projection: 		Scale: NTS	Sht. Size: A4	Gen. Tol.: $\pm 0.5\text{mm}$ $\pm 2^\circ$	ALL DIMENSIONS ARE IN MM. IF UNLESS OTHERWISE SPECIFIED.

<http://www.protectron.in>
protectron@protectron.in