



PROTECTRON ELECTROMECH (P) LTD

DESCRIPTION : DC POWER JACK Ø2mm WITH KINKED PINS

PART NO:PDCJ01-02K

RoHS



PHYSICAL

6	COVER	PBT	1	Ni PLATED
5	PIN TERMINAL	BRASS STRIP	1	Ag PLATED OVER Ni PLATED
4	BREAK TERMINAL	BRASS STRIP	1	Ag PLATED OVER Ni PLATED
3	TIP TERMINAL	STAINLESS STEEL	1	Ag PLATED OVER Ni PLATED
2	PIN	BRASS BAR	1	BLACK
1	HOUSING	PBT	1	BLACK
NO.	PART NAME	MATERIAL	QTY.	FINISHING

PACKAGING TYPE : BULK PACKING

ELECTRICAL

INSULATION RESISTANCE : 100M OHMS Min. @ 500V DC for 1 minute.

DIELECTRIC STRENGTH : 500V AC FOR 1 MIN

CONTACT RESISTANCE : 100m OHMS MAX

MECHANICAL DATA

INSERTION FORCE : 0.30 – 2.0kgs

EXTRACTION FORCE : 0.30 – 1.5kgs

MATING CYCLES : 5000 CYCLES at a speed of 10–25 cycles/minute.

ENVIRONMENTAL DATA

TEMPERATURE RANGE : -16° TO +60° C

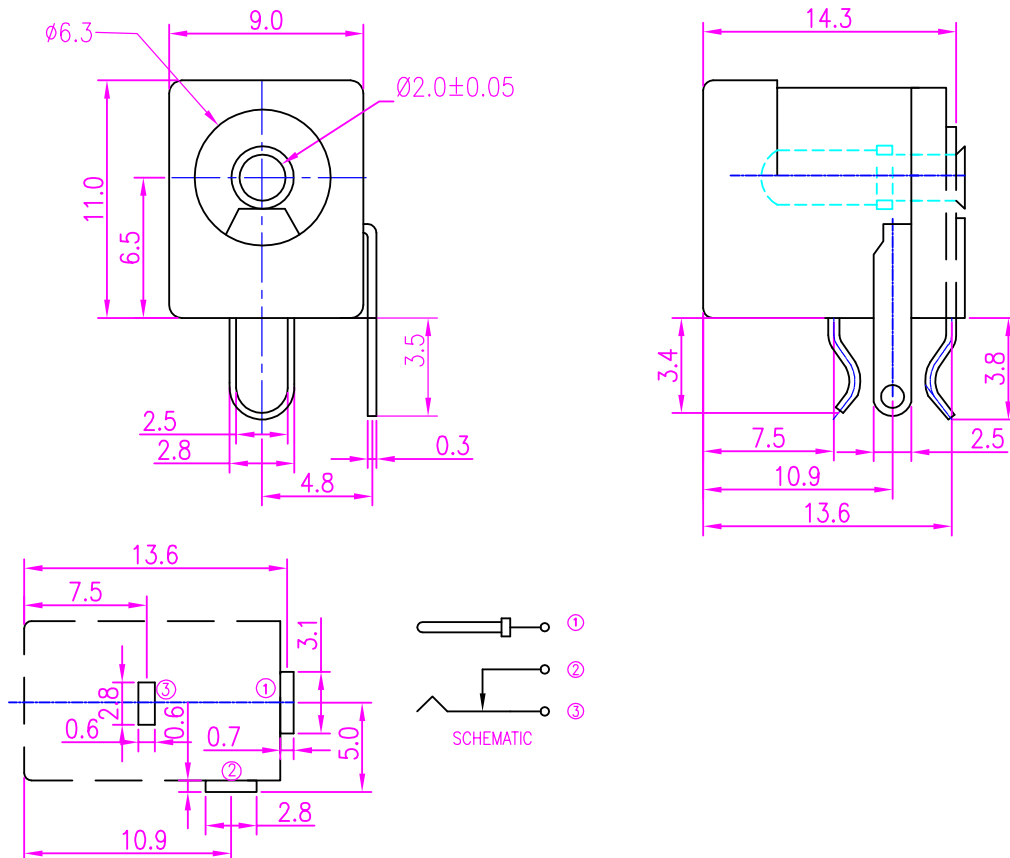
PROCESS RATING : 260±5° FOR 3±0.5 Seconds



PROTECTRON ELECTROMECH (P) LTD

DESCRIPTION : DC POWER JACK Ø2mm WITH KINKED PINS

PART NO: PDCJ01-02K



MATES WITH

PLUG GAUGE REQUIRED:
Ø2.1mm

ORDERING INFORMATION

PDCJ01-02K

MOQ- 1000 MIN
SPQ- 1000 PER PACK

A1	DRAWING REVISED	SUNITA	19.02.2014		
A	ORIGINAL	ANIL	16.06.2008	SACHIN	SURINDRA
REV.	DESCRIPTION	DRN BY	DATE	CKED BY	APP'D BY

Projection:



Scale: NTS

Sht. Size: A4

Gen. Tol.: ±0.5mm
±2°

ALL DIMENSIONS ARE IN MM.
IF UNLESS OTHERWISE SPECIFIED.