



# PROTECTRON ELECTROMECH (P) LTD

DESCRIPTION :DC POWER JACK 2mm WITHOUT LOCKING OPTION. PART NO: PDCJ01-02

RoHS



## PHYSICAL DATA

MATERIAL : REFER TABLE

## ELECTRICAL DATA

**CONTACT RESISTANCE** : 100m OHMS MAX  
**INSULATION RESISTANCE** : 100m OHMS MIN  
**DIELECTRIC WITHSTAND** : 500V AC

## MECHANICAL DATA

**INSERTION FORCE** : 1.50Kg  
**EXTRACTION FORCE** : 0.30 – 2.0Kg  
**MATING CYCLES** : 1000 CYCLES MIN

## ENVIRONMENTAL DATA

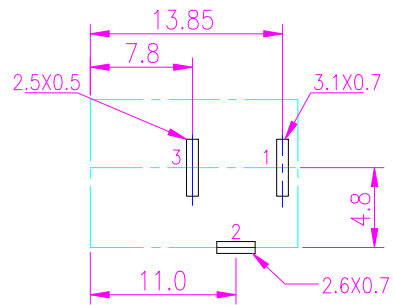
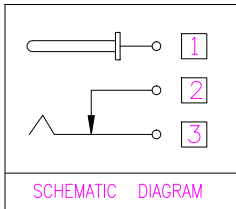
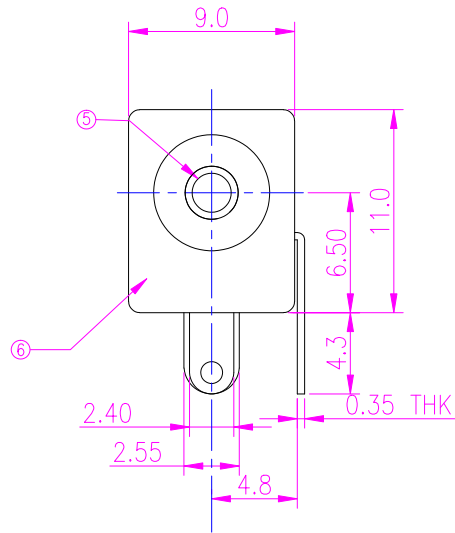
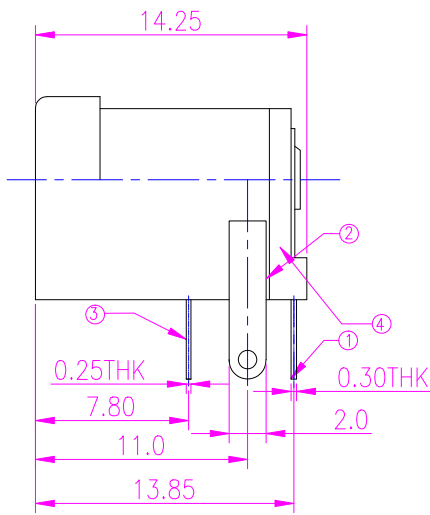
**TEMPERATURE RANGE** : -20°C TO +80°C  
**RESISTANCE TO SOLDERING** : 230±5° FOR 3 SECONDS.



# PROTECTRON ELECTROMECH (P) LTD

DESCRIPTION :DC POWER JACK 2mm WITHOUT LOCKING OPTION.

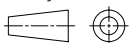
PART NO: PDCJ01-02



P.C.B LAYOUT

REV.	A1	DRAWING REVISED	SUMITH	04.08.2015		
	A	ORIGINAL	ANIL	03.04.2009		
		DESCRIPTION	DRN. BY	DATE	CK'ED BY	APP'D BY

Projection:



Scale: NTS

Sht. Size: A4

Gen. Tol.: ±0.35mm

ALL DIMENSIONS ARE IN MM.  
IF UNLESS OTHERWISE SPECIFIED.



# PROTECTRON ELECTROMECH (P) LTD

DESCRIPTION :DC POWER JACK 2mm WITHOUT LOCKING OPTION. PART NO:PDCJ01-02

## PHYSICAL DATA

6	CASE	1	PBT/PC	BLACK
5	PLUG PIN A	1	2.0mm BRASS PIN	Ni
4	COVER	1	PBT/PC	BLACK
3	TERMINAL C	1	PB 0.2mm THICK	AG
2	TERMINAL B	1	BRASS 0.30mm THICK	Ag
1	TERMINAL A	1	BRASS 0.30mm THICK	Ag
NO.	DISCRIPTION	QTY.	MATERIAL	FINISH

## ORDERING INFORMATION

PDCJ01-02

### MATES WITH

PLUG GAUGE REQUIRED:  
ø2.1mm

MOQ- 1000 MIN

SPQ- 1000 PER PACK