



# PROTECTRON ELECTROMECH (P) LTD

DESCRIPTION: CABLE ASSY OF D-SUB MALE CONNECTOR TO  
FEMALE CONNECTOR 9PIN, 400mm LONG

PART NO: PCA002192

RoHS

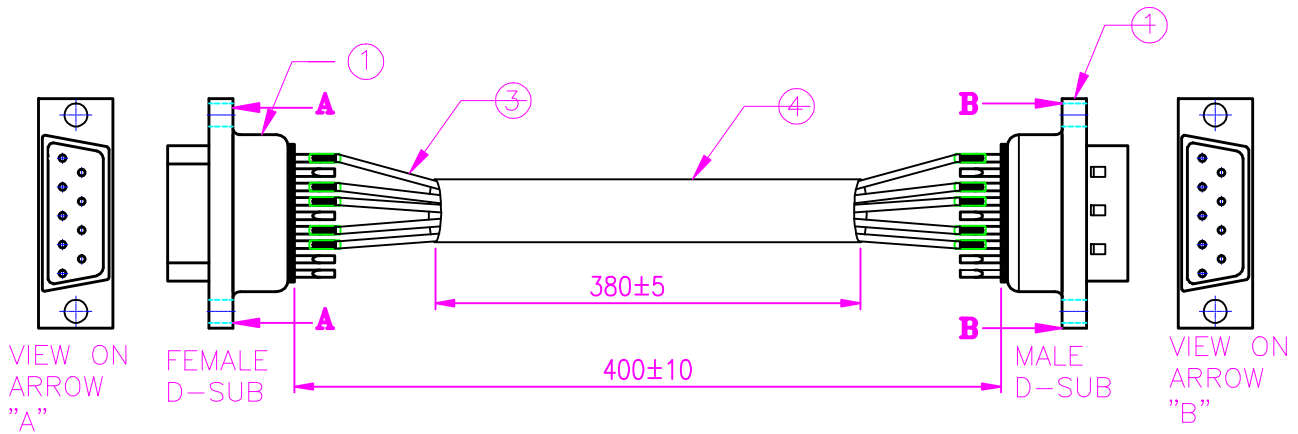


## MATERIAL DETAIL TABLE

SI NO	DESCRIPTION	QTY
1	9PIN FEMALE D-SUB CONNECTOR	1NO,S
2	9PIN MALE D-SUB CONNECTOR	1No
3	7/Ø0.2 PTFE E-GRADE GREEN COLOR WIRE, 400mm LONG	5Nos
3	HEAT SHRINK SLEEVE, BLACK COLOR 380mm LONG	1No.


DESCRIPTION: CABLE ASSY OF D-SUB MALE CONNECTOR TO FEMALE CONNECTOR 9PIN, 400mm LONG

PART NO: PCA002192



CONNECTION DETAIL TABLE

SI NO	9PIN FEMALE D-SUB CONNECTOR	9PIN MALE D-SUB CONNECTOR
1	---	---
2	2	2
3	3	3
4	---	---
5	5	5
6	---	---
7	---	---
8	8	8
9	9	9

A	ORIGINAL	VISHWA.P	27.08.2014		
REV.	DESCRIPTION		DRN. BY	DATE	APP'D BY
Projection: 		Scale: NTS	Sht. Size: A4	Gen. Tol.: ±0.3mm ±2°	ALL DIMENSIONS ARE IN MM. IF UNLESS OTHERWISE SPECIFIED.